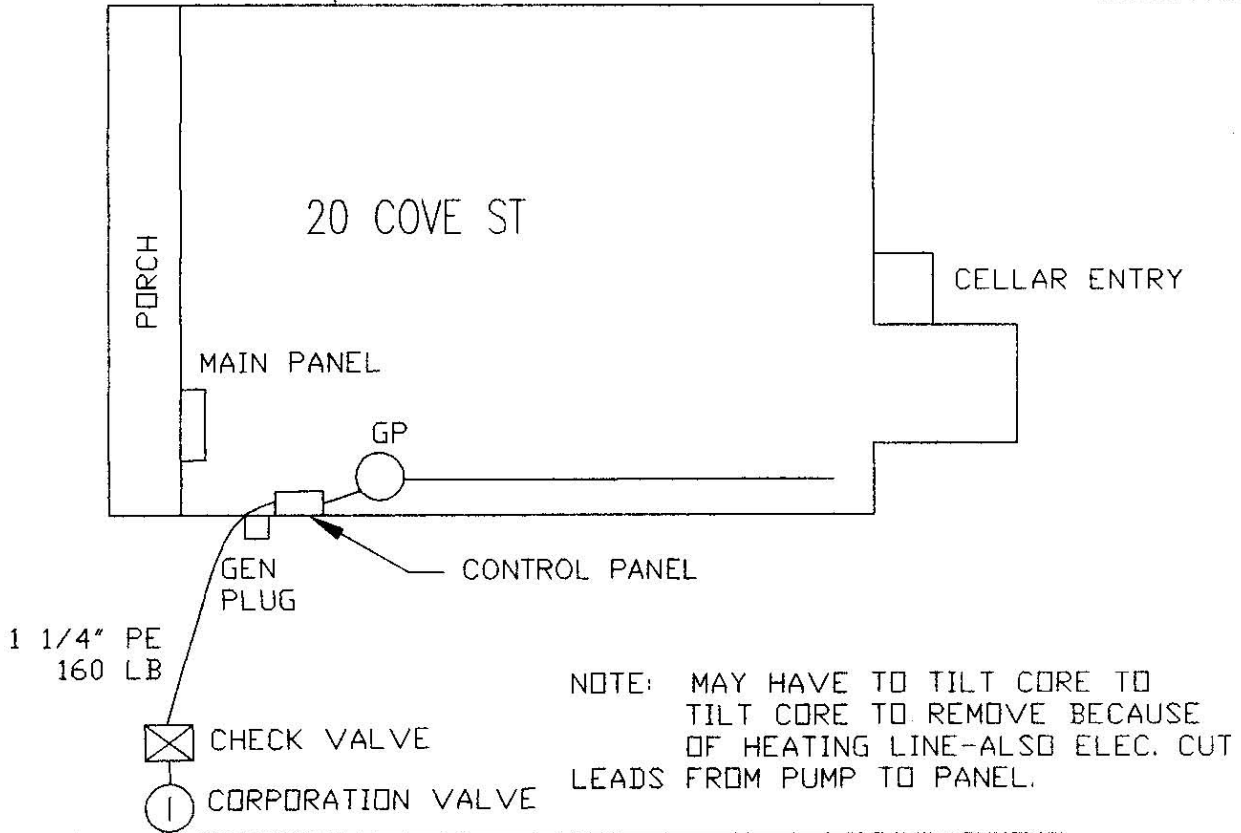


INSTALLED 6/78



COVE ST.

PLUMBING CONT: WALKER PLUMBING & HEATING  
ELEC. CONT: A/Z ELEC.  
BUILDING INSP: FEENEY

REVISIONS	<i>GRINDER PUMP SKETCH</i>	TOWN OF GROTON WPCD GARY CT, GROTON
	ADDRESS: 20 COVE ST NOANK	
DWG: COVE20	OWNER: DORIS CAMPBELL	