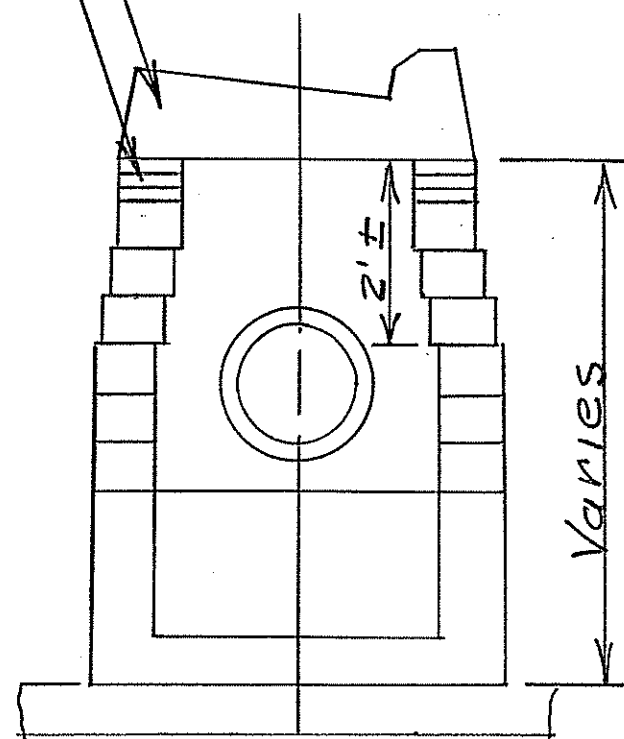
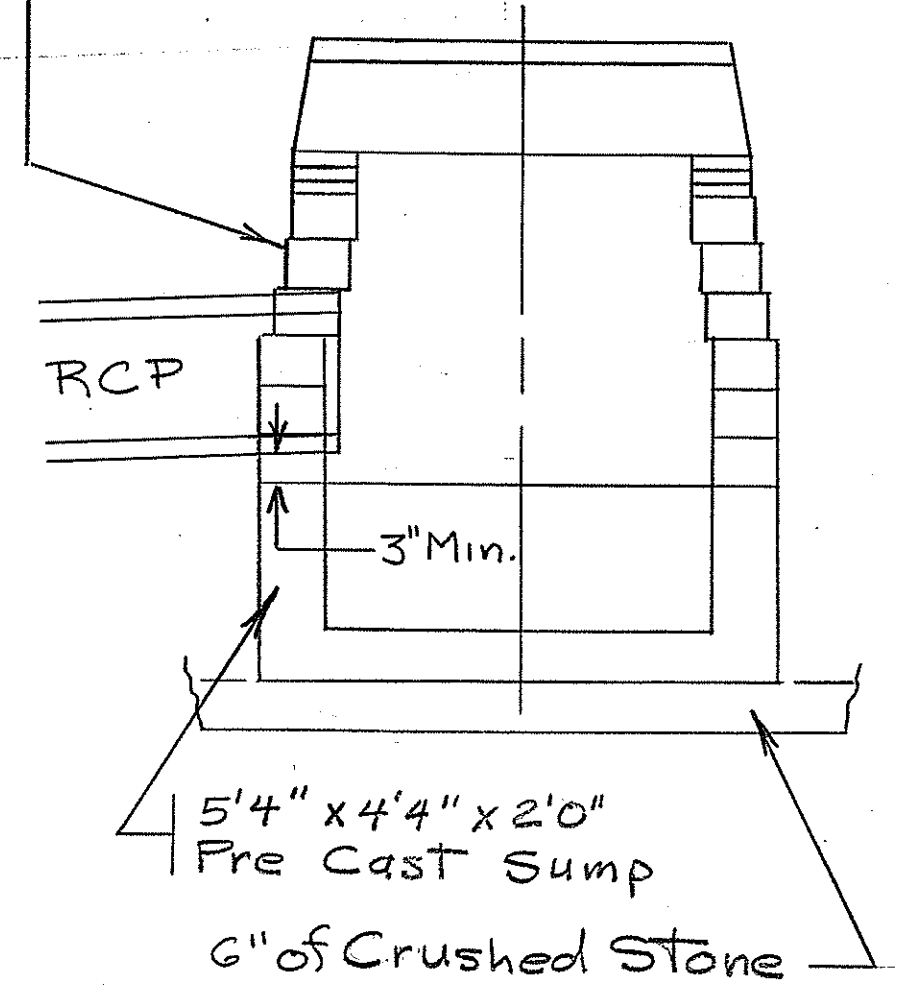


Solid Catch Basin Blocks
6" x 8" x 12" - To be set
in full mortar beds.

Type 'C-Asp Curb' or 'CL'
Catch Basin Top

Concrete Bricks for
adjustment to grade

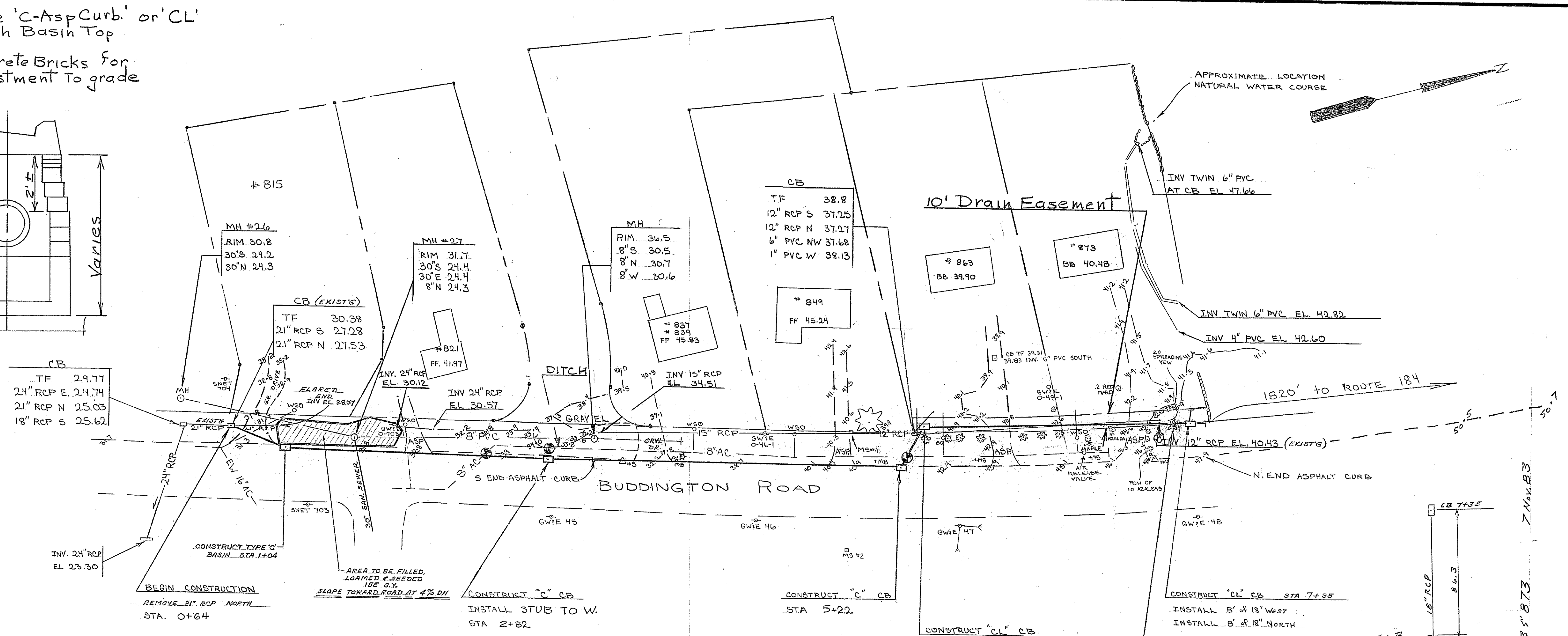
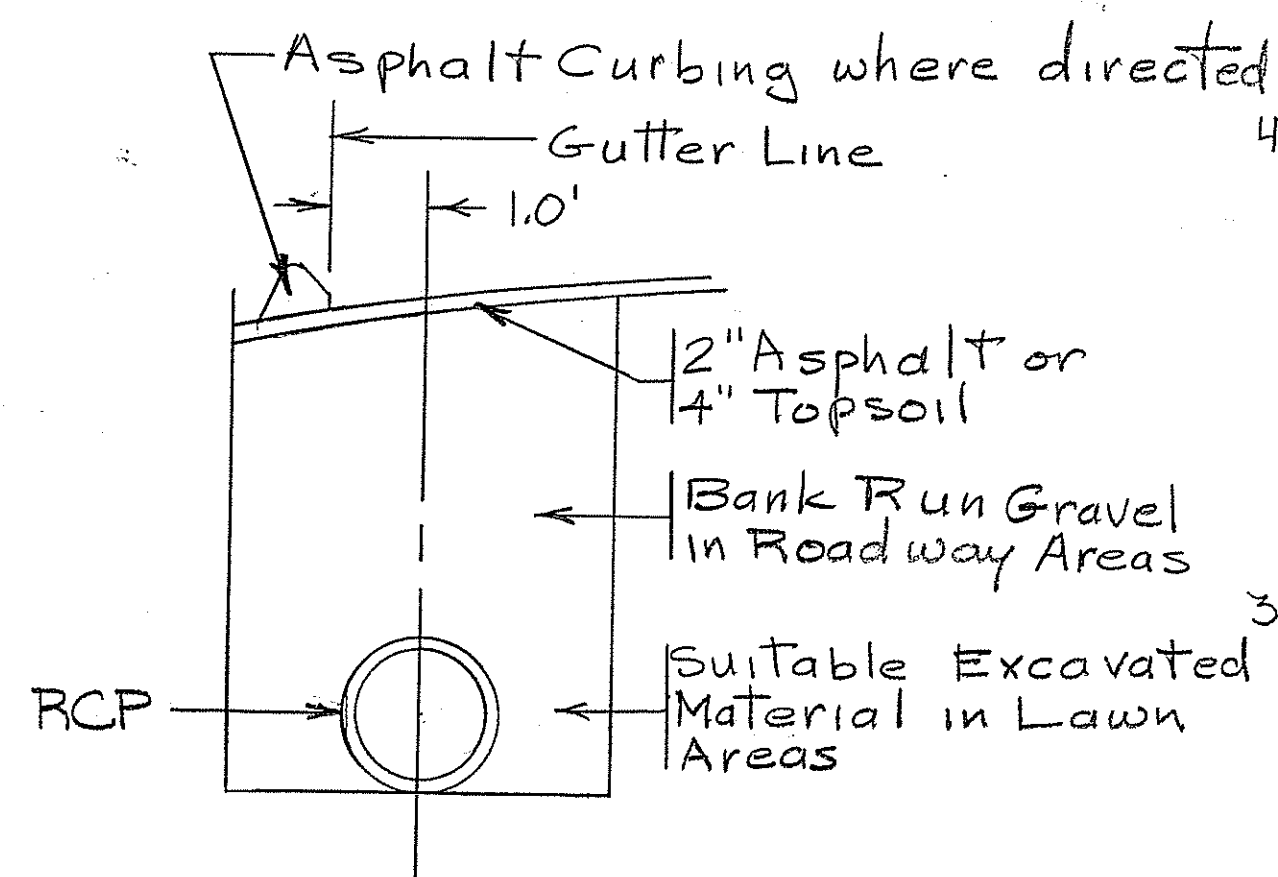


CATCH BASIN DETAIL 1" = 2'

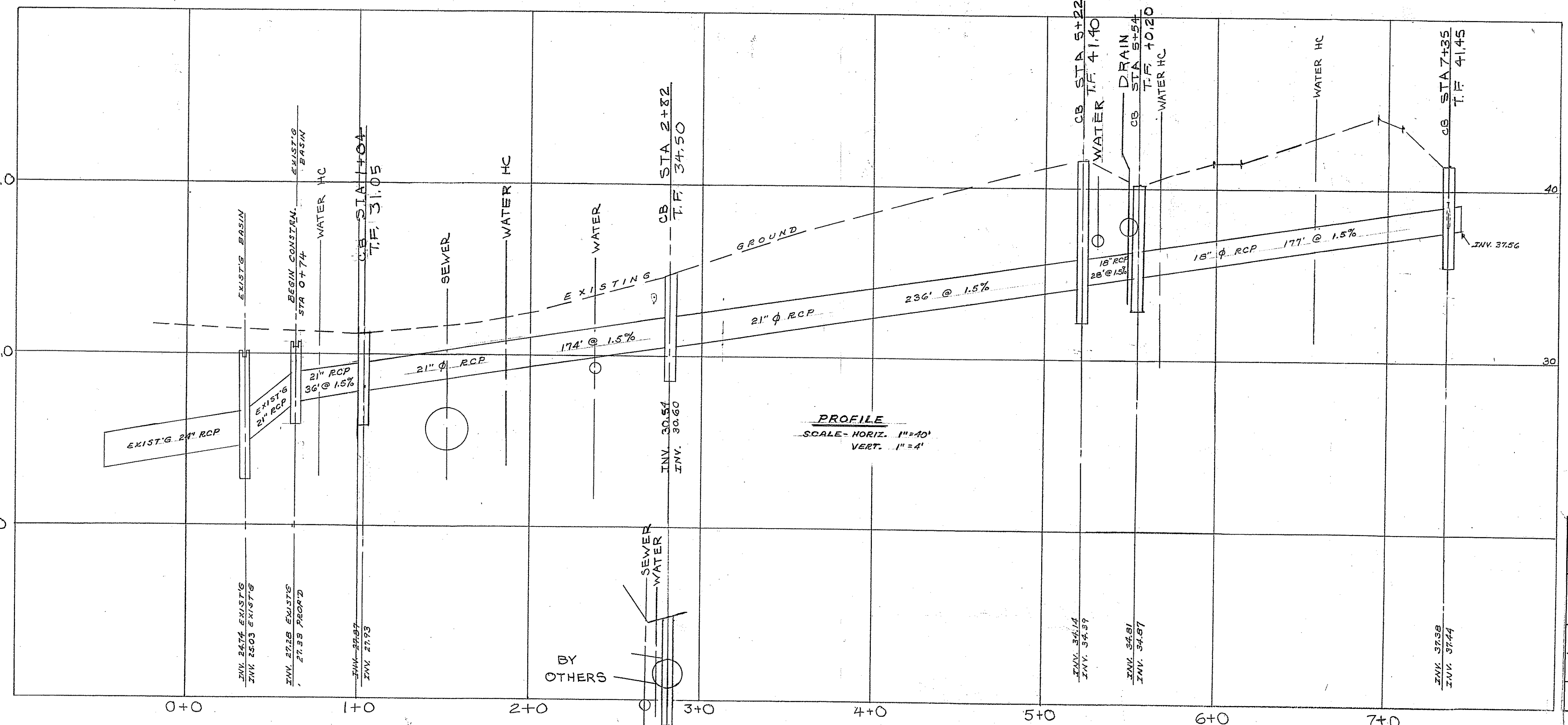
For Trench Payment Widths
Earth, Rock, Gravel, &
Crushed Stone

Dia. of Pipe	Payment Width
18" RCP	4.00'
21" RCP	4.00'

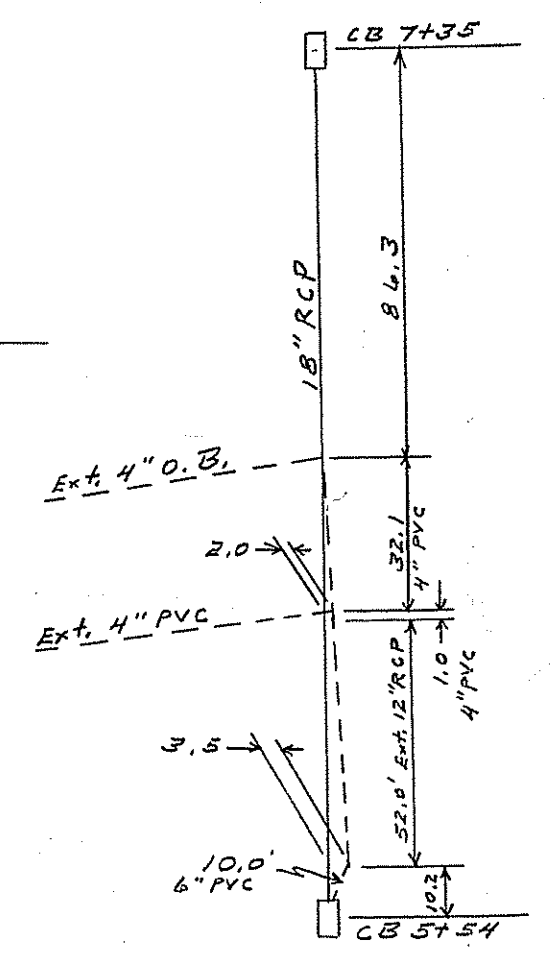
Payment widths for Catch Basins shall be 1.0' outside the wall of the structure on all sides



PLAN SCALE 1" = 40'



PROFILE SCALE HORIZ. 1" = 40' VERT. 1" = 4'



TEST PIT REQUIRED

MISCELLANEOUS STORM DRAINAGE INSTALLATIONS CONTRACT B

TOWN OF GROTON DEPARTMENT OF PUBLIC WORKS		
PROJECT TITLE BUDDINGTON ROAD DRAINAGE		
DATE DEC 1982	SCALE AS SHOWN	DRAWN BY PLJ
DESIGN BY H N	REVIEWED <i>[Signature]</i>	APPROVED
REVISED	PROJECT NO. 82-52-E	PAGE 1 OF 3

As built Meas. for Underdrain s. 863 s. 873 7 Nov. 83