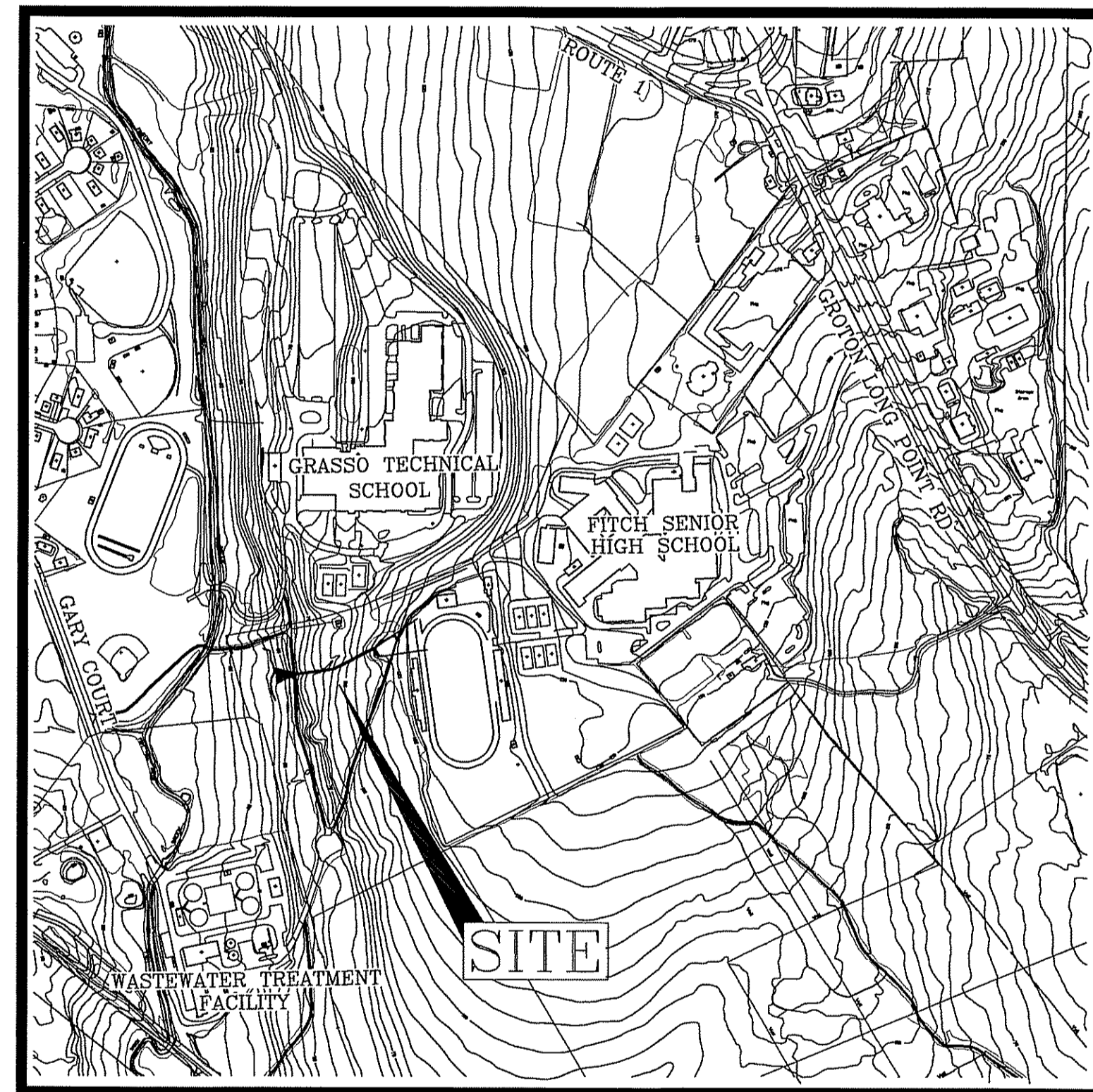


# FITCH SENIOR HIGH SCHOOL STORMWATER OUTFALL IMPROVEMENTS GROTON, CONNECTICUT

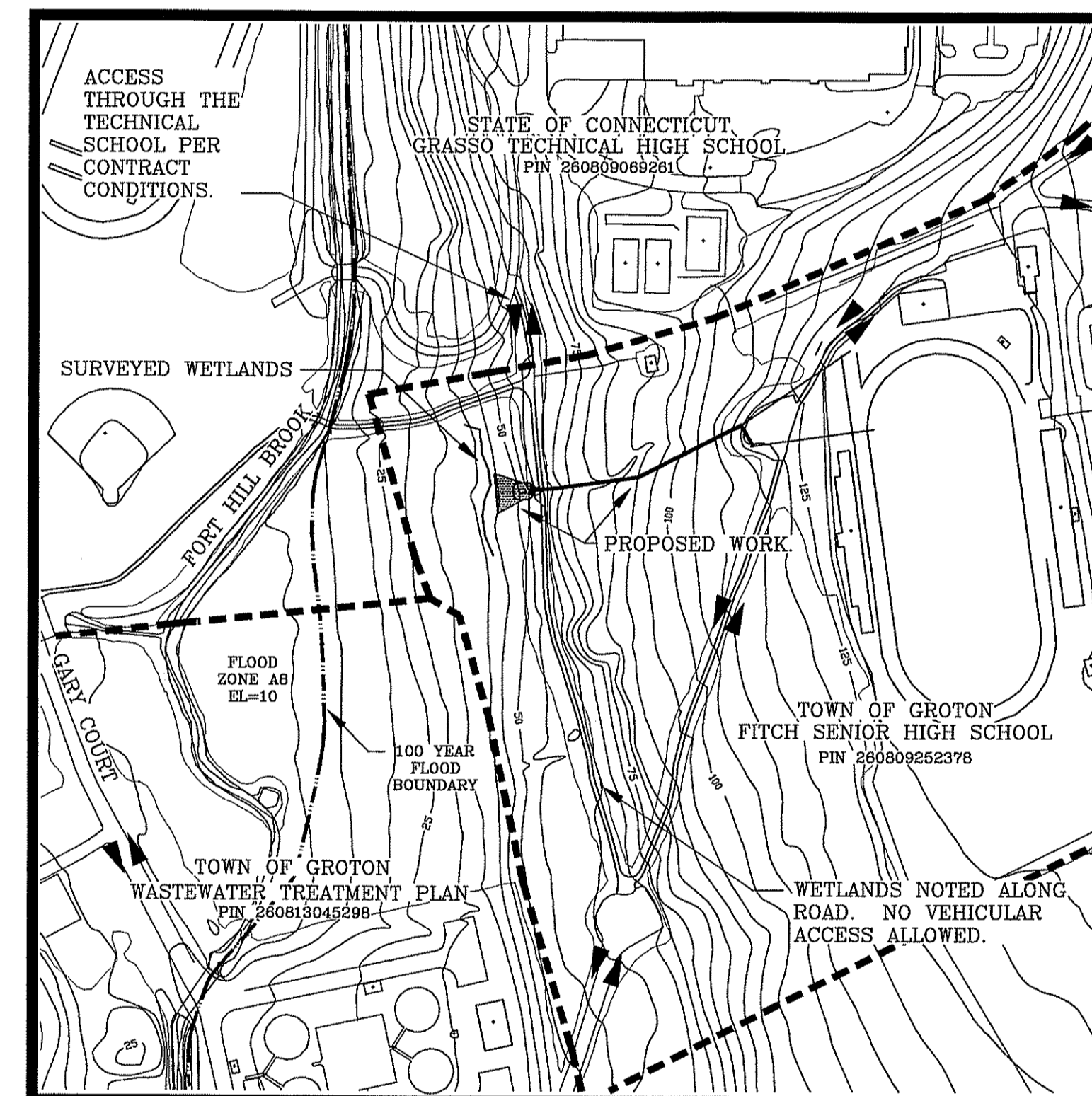
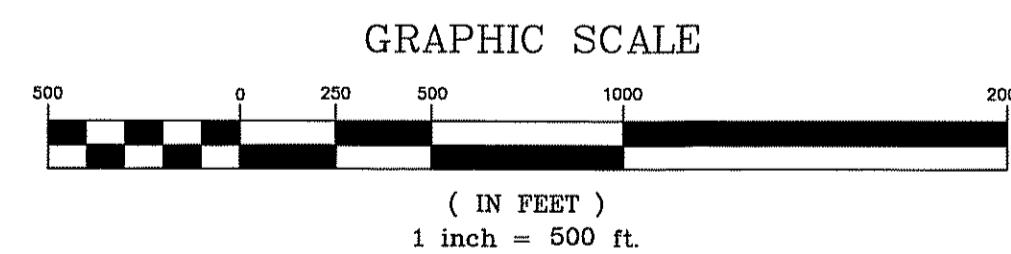
APRIL 5, 2002

PLAN INDEX

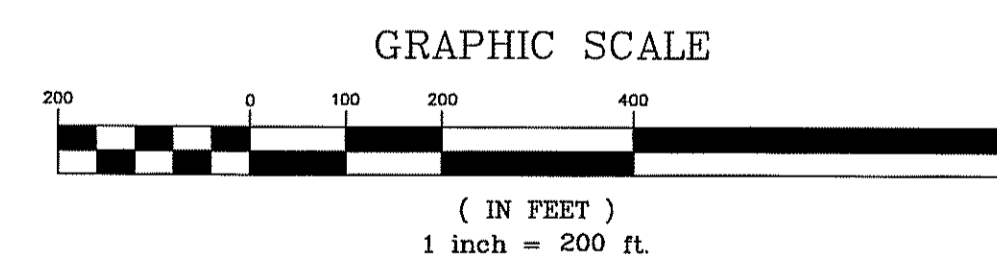
| TITLE          | PAGE |
|----------------|------|
| COVER SHEET    | 1    |
| PLAN & PROFILE | 2    |
| DETAILS        | 3    |



SITE LOCATION MAP GROTON, CT



SITE VICINITY AND ACCESS MAP GROTON, CT



TOWN COUNCIL

FRANK O'BEIRNE, JR, MAYOR

DALORES E. HAUBER  
CATHERINE KOLNASKI  
JACKIE MASSETT  
EDWARD E. MOUKAWSHER  
THOMAS SKRMETTI  
HARRY A. WATSON  
JOHN WIRZBICKI  
ELISSA T. WRIGHT

TOWN MANAGER

RONALD P. LEBLANC

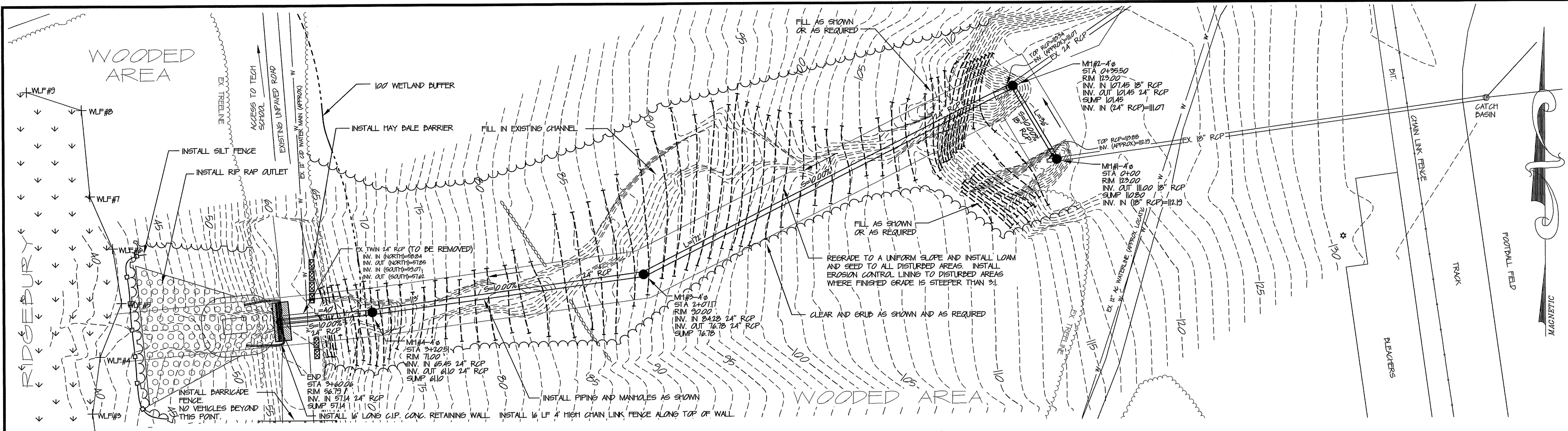
DIRECTOR OF PUBLIC WORKS

GARY J. SCHNEIDER

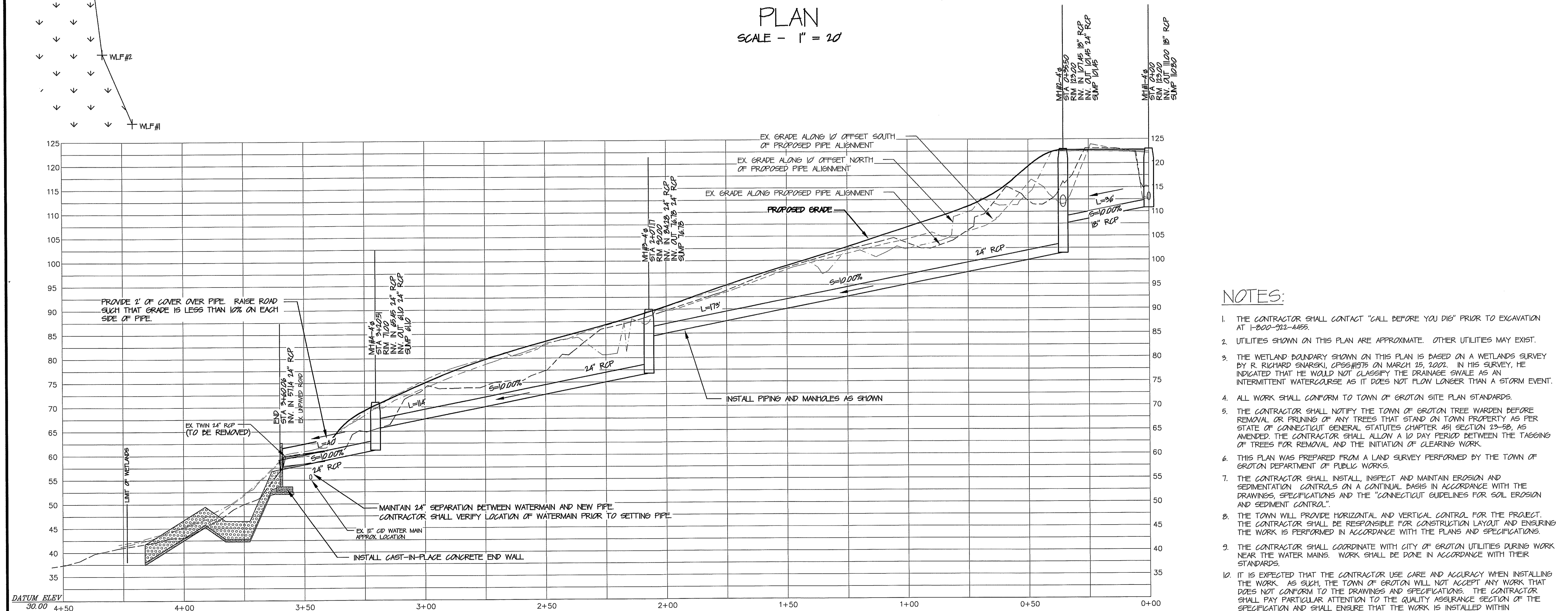
ENGINEERS

TOWN OF GROTON  
DEPARTMENT OF PUBLIC WORKS

REVISED JUNE 05, 2002



PLAN  
SCALE - 1" = 20'

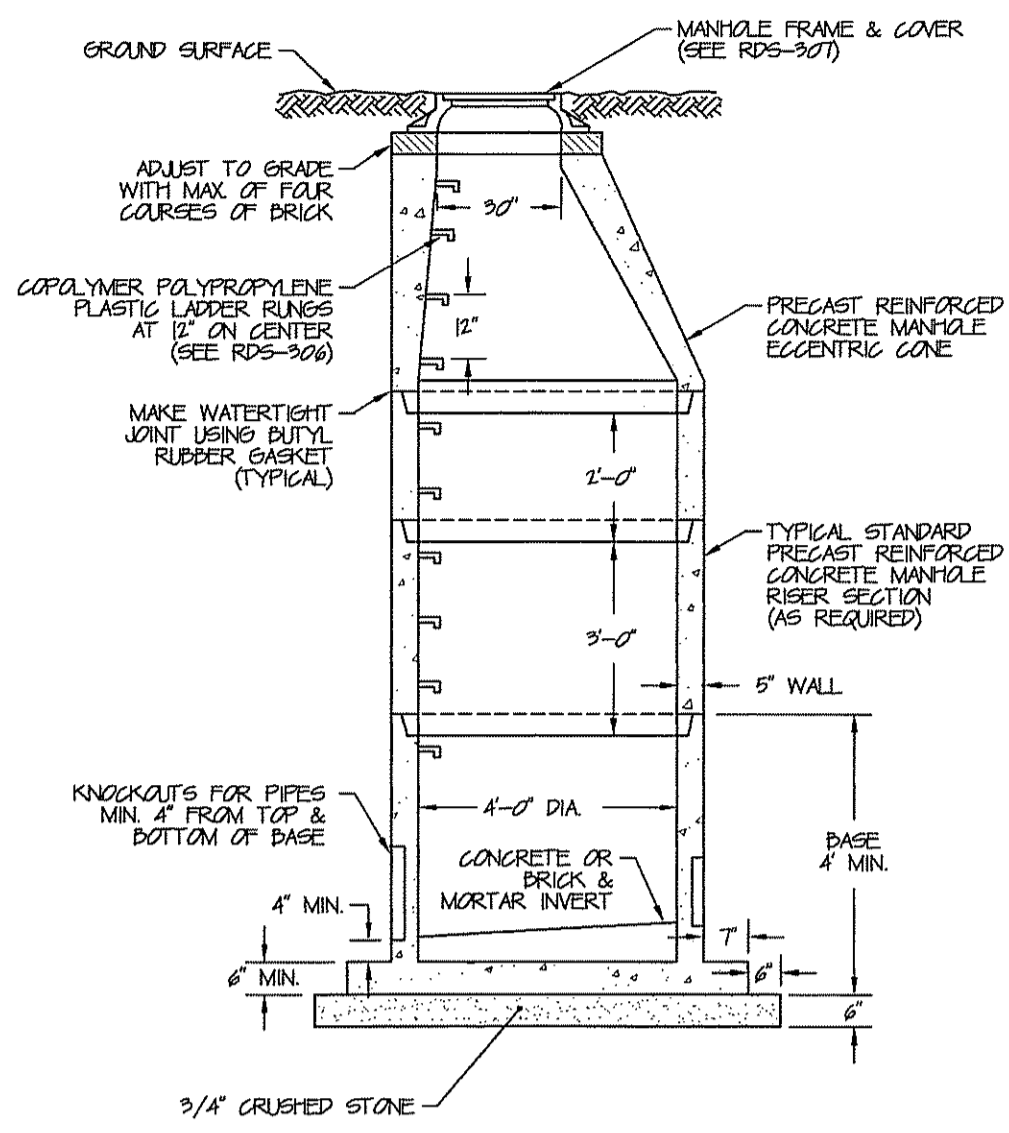


PROFILE  
SCALE - H: 1"=20' V: 1"=10'

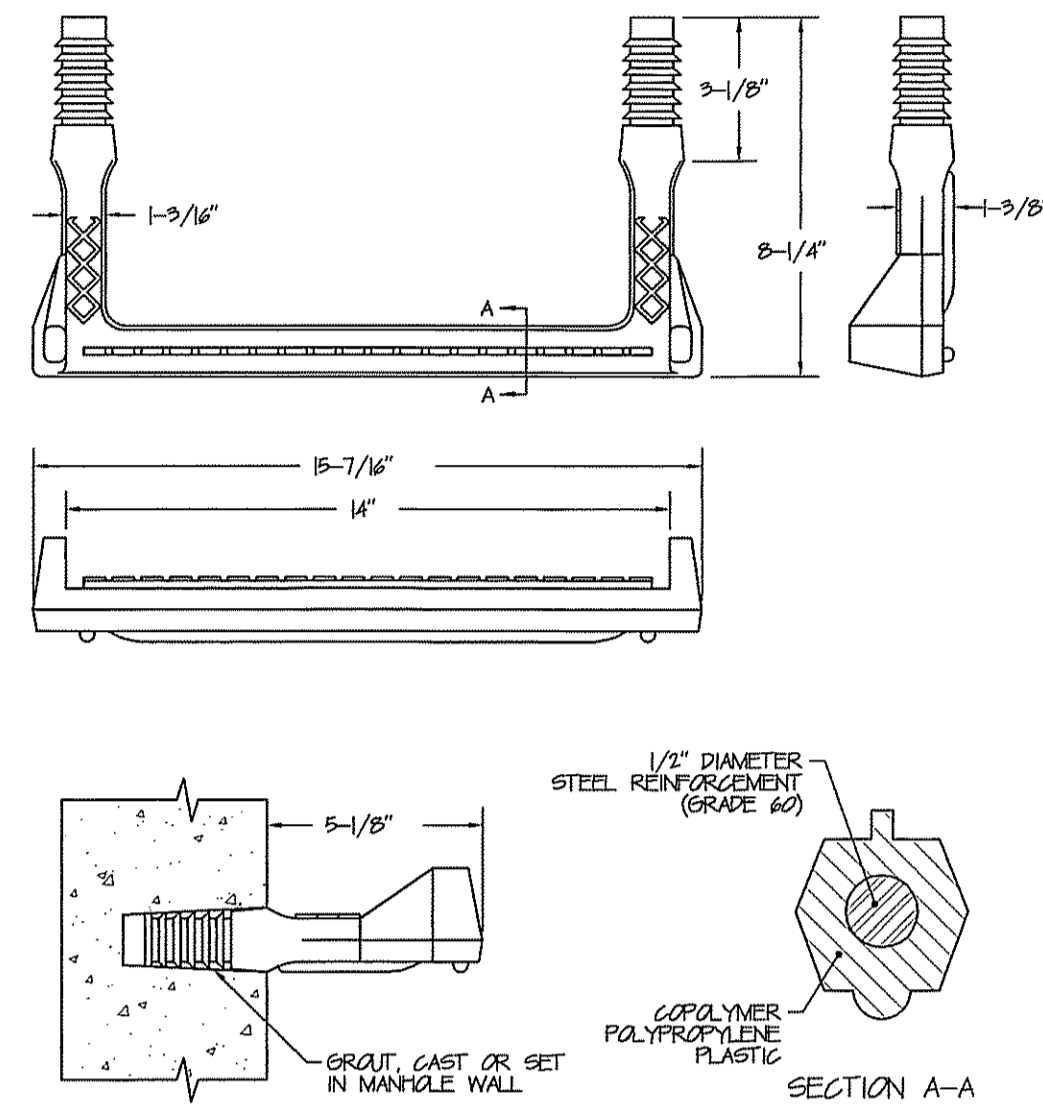
NOTES:

1. THE CONTRACTOR SHALL CONTACT "CALL BEFORE YOU DIG" PRIOR TO EXCAVATION AT 1-800-922-4455.
2. UTILITIES SHOWN ON THIS PLAN ARE APPROXIMATE. OTHER UTILITIES MAY EXIST.
3. THE WETLAND BOUNDARY SHOWN ON THIS PLAN IS BASED ON A WETLANDS SURVEY BY R. RICHARD SNARSKI, CPSS#1975 ON MARCH 25, 2002. IN HIS SURVEY, HE INDICATED THAT HE WOULD NOT CLASSIFY THE DRAINAGE SWALE AS AN INTERMITTENT WATERCOURSE AS IT DOES NOT FLOW LONGER THAN A STORM EVENT.
4. ALL WORK SHALL CONFORM TO TOWN OF GROTON SITE PLAN STANDARDS.
5. THE CONTRACTOR SHALL NOTIFY THE TOWN OF GROTON TREE WARDEN BEFORE REMOVAL OR PRUNING OF ANY TREES THAT STAND ON TOWN PROPERTY AS PER STATE OF CONNECTICUT GENERAL STATUTES CHAPTER 481 SECTION 23-58, AS AMENDED. THE CONTRACTOR SHALL ALLOW A 10 DAY PERIOD BETWEEN THE TAGGING OF TREES FOR REMOVAL AND THE INITIATION OF CLEARING WORK.
6. THIS PLAN WAS PREPARED FROM A LAND SURVEY PERFORMED BY THE TOWN OF GROTON DEPARTMENT OF PUBLIC WORKS.
7. THE CONTRACTOR SHALL INSTALL, INSPECT AND MAINTAIN EROSION AND SEDIMENTATION CONTROLS ON A CONTINUAL BASIS IN ACCORDANCE WITH THE DRAWINGS, SPECIFICATIONS AND THE "CONNECTICUT" GUIDELINES FOR SOIL EROSION AND SEDIMENT CONTROL.
8. THE TOWN WILL PROVIDE HORIZONTAL AND VERTICAL CONTROL FOR THE PROJECT. THE CONTRACTOR SHALL BE RESPONSIBLE FOR CONSTRUCTION LAYOUT AND ENSURING THE WORK IS PERFORMED IN ACCORDANCE WITH THE PLANS AND SPECIFICATIONS.
9. THE CONTRACTOR SHALL COORDINATE WITH CITY OF GROTON UTILITIES DURING WORK NEAR THE WATER MAINS. WORK SHALL BE DONE IN ACCORDANCE WITH THEIR STANDARDS.
10. IT IS EXPECTED THAT THE CONTRACTOR USE CARE AND ACCURACY WHEN INSTALLING THE WORK. AS SUCH, THE TOWN OF GROTON WILL NOT ACCEPT ANY WORK THAT DOES NOT CONFORM TO THE DRAWINGS AND SPECIFICATIONS. THE CONTRACTOR SHALL PAY PARTICULAR ATTENTION TO THE QUALITY ASSURANCE SECTION OF THE SPECIFICATION AND SHALL ENSURE THAT THE WORK IS INSTALLED WITHIN ACCEPTABLE TOLERANCES.

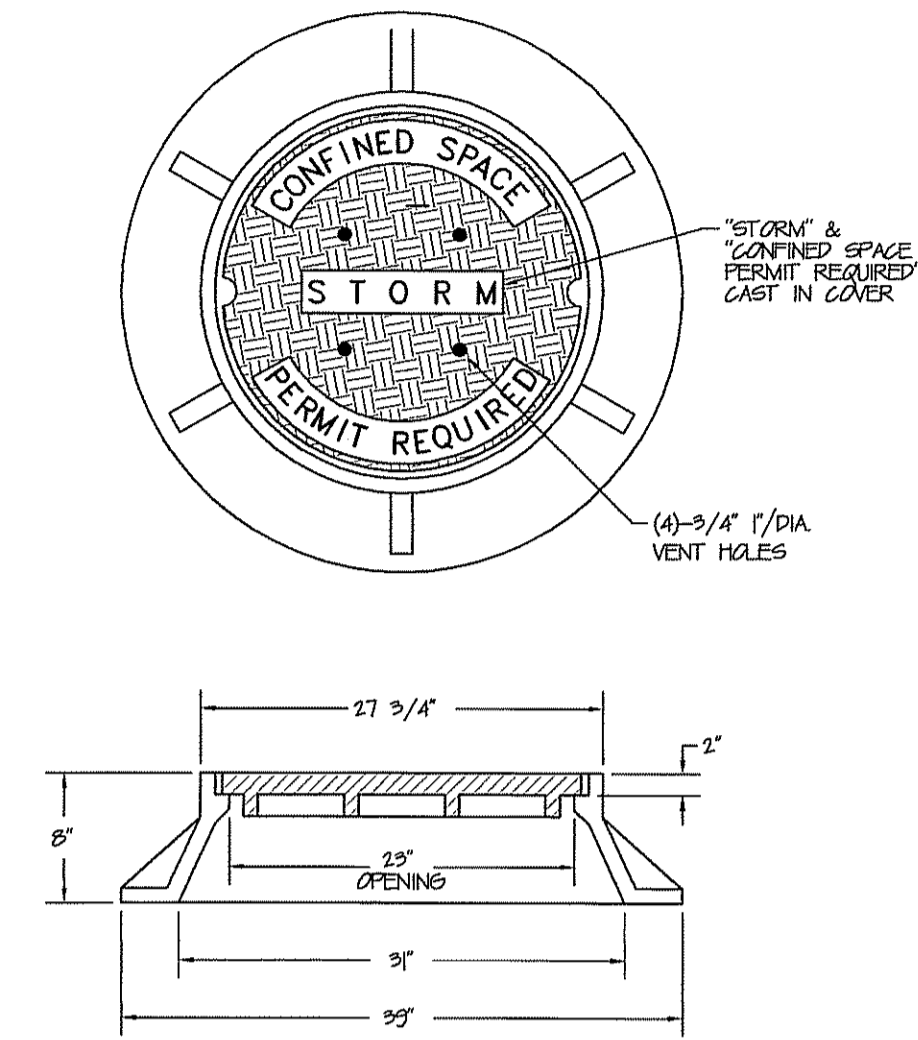
|                |       |   |       |
|----------------|-------|---|-------|
| TOWN OF GROTON |       | DEPARTMENT OF PUBLIC WORKS  |       |
| ENGINEERING    |       | 134 GROTON LONG POINT ROAD<br>GROTON, CONNECTICUT 06340<br>(860) 448-4056 |       |
| DESIGNED BY:   | DATE: | DRAWN BY:   | DATE: |
| pbj            | 04-02 | pbj   | 04-02 |
| CHECKED BY:    | DATE: | APPROVED BY:  | DATE: |
|                |       |   |       |
| SCALE:         |       | As Shown  |       |
| DATE:          |       | April 5, 2002   |       |
| PAGE NO.:      |       | 2 OF 3  |       |



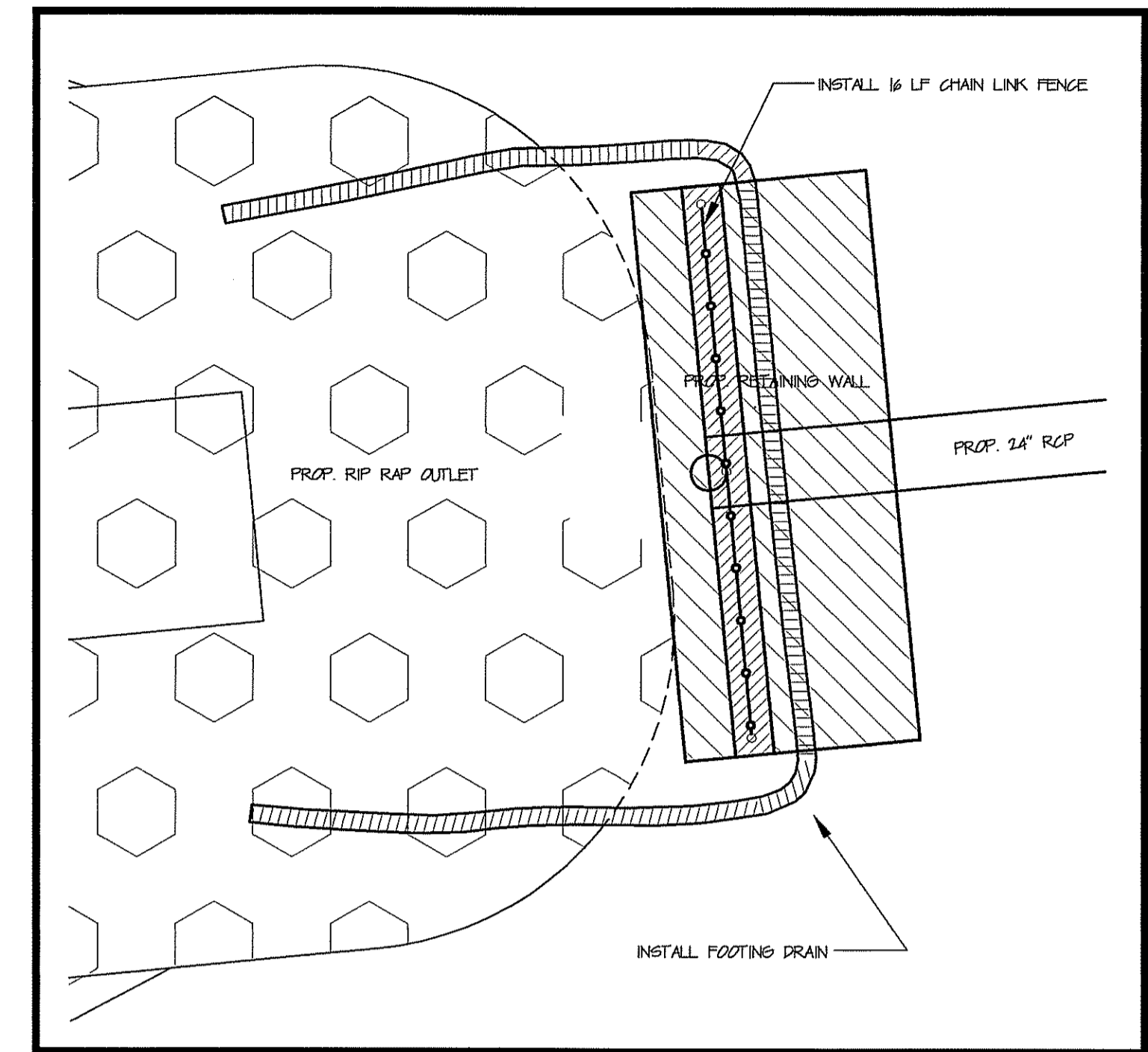
**PRECAST CONCRETE DRAINAGE MANHOLE** RDS-304  
NTS



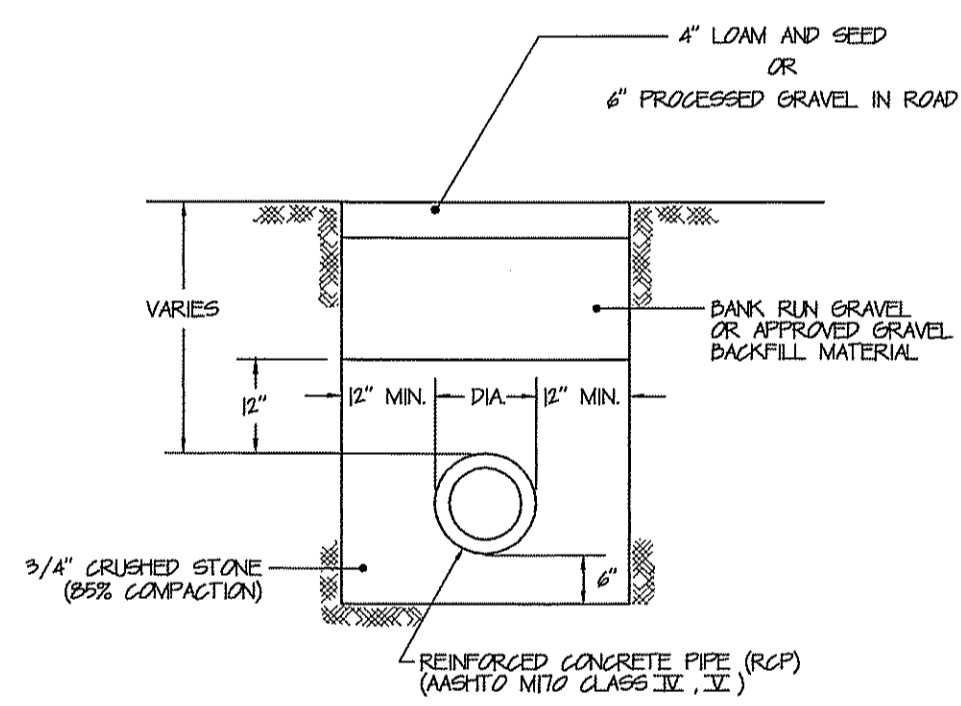
**MANHOLE STEP** RDS-306  
NTS



**MANHOLE FRAME & COVER** RDS-307  
NTS

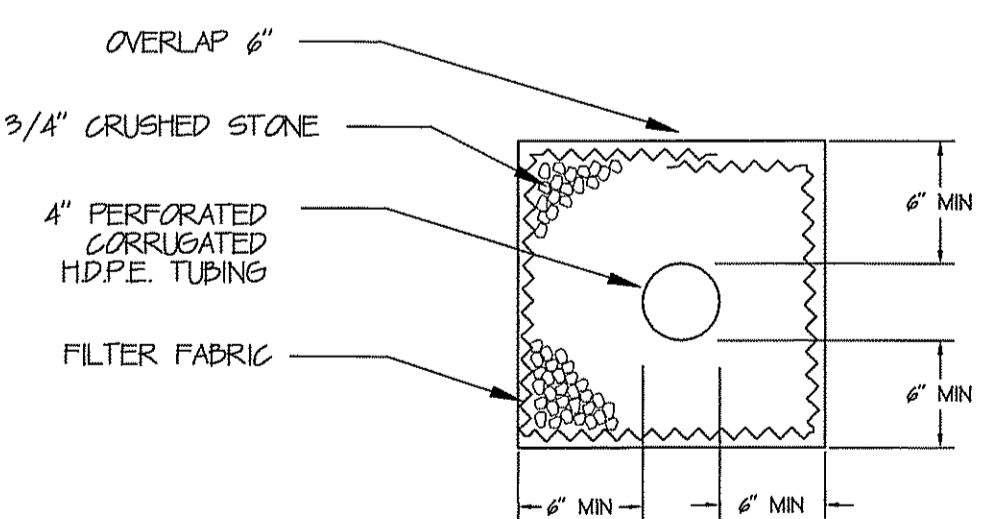


**DETAIL - RETAINING WALL**  
1"=4'



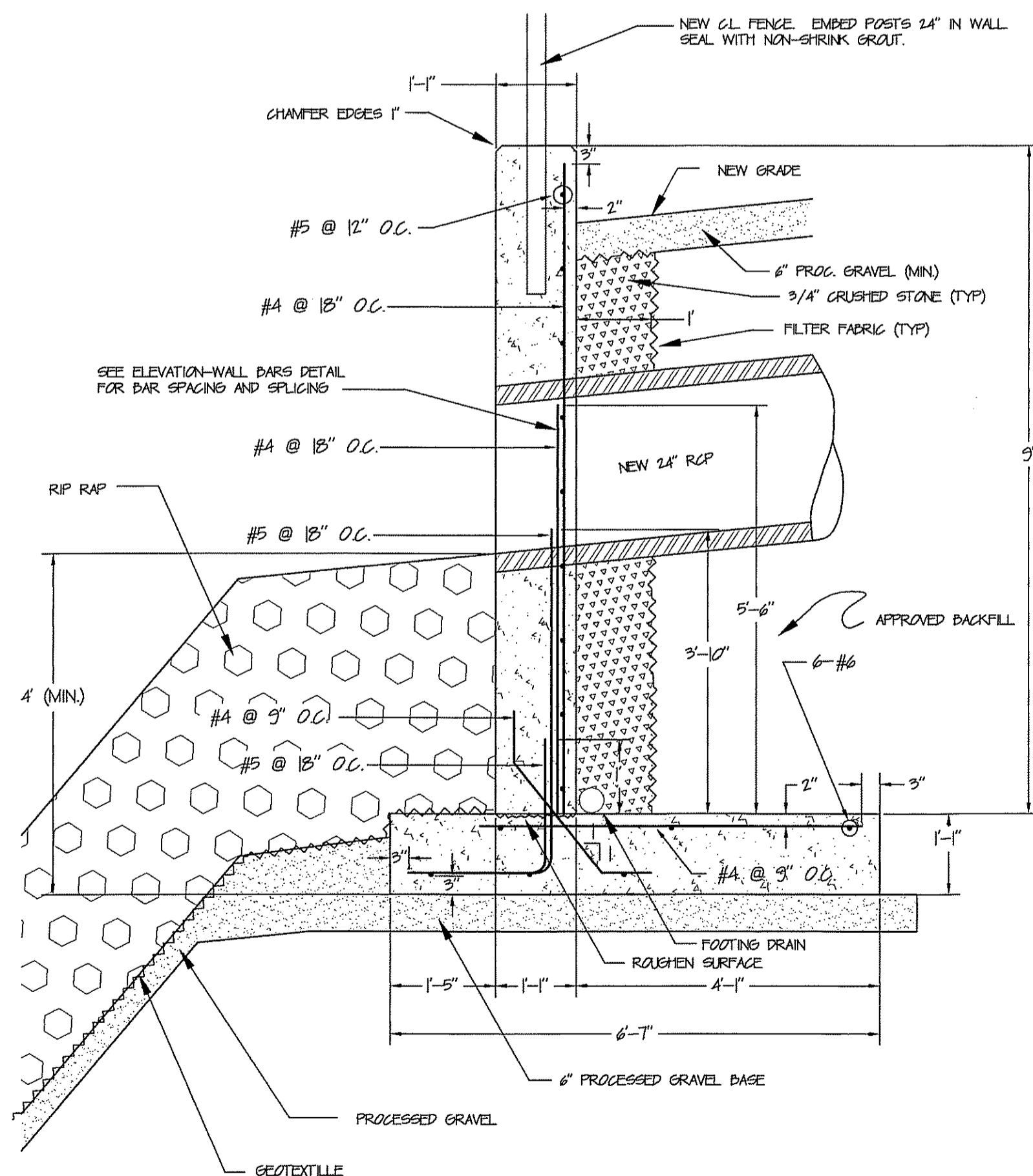
**NOTE:**  
1. IF PIPE IS PLACED IN OR ON LEDGE, ALL LEDGE WITHIN 12" OF PIPE SHALL BE REMOVED AND REPLACED WITH PIPE BEDDING.

**DRAINAGE PIPE TRENCH** RDS-301  
NTS

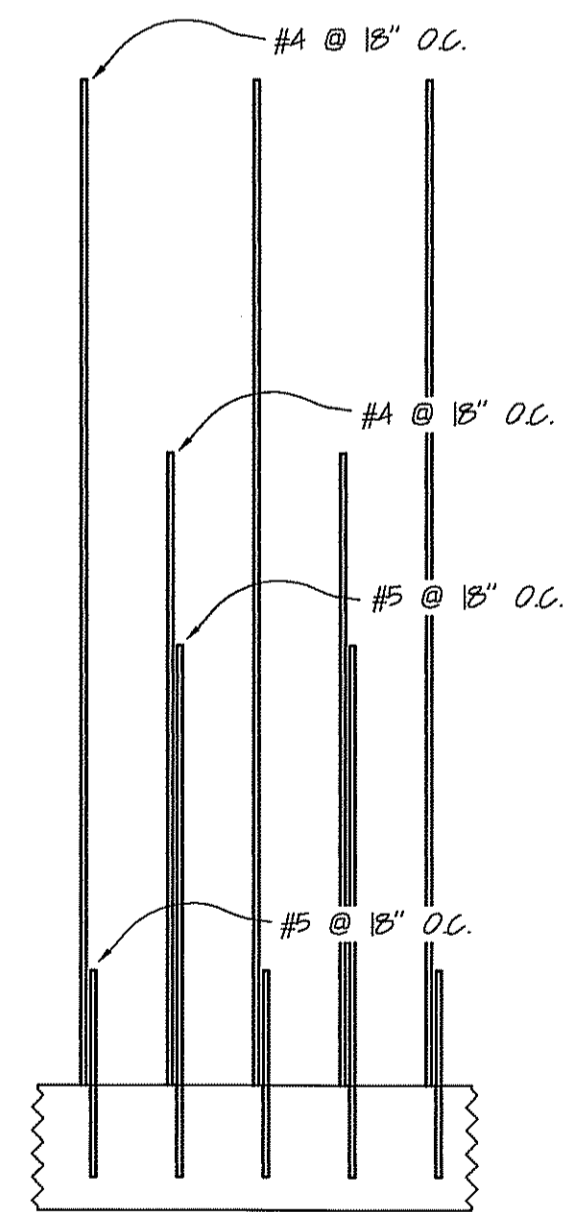


**NOTES:**  
1. PERFORATIONS SHALL BE PLACED DOWN.  
2. FILTER FABRIC SHALL BE MIRAFI 500X, EXXON 150EX, ANOCO 4545, TREVIRA 1114 OR APPROVED EQUAL.

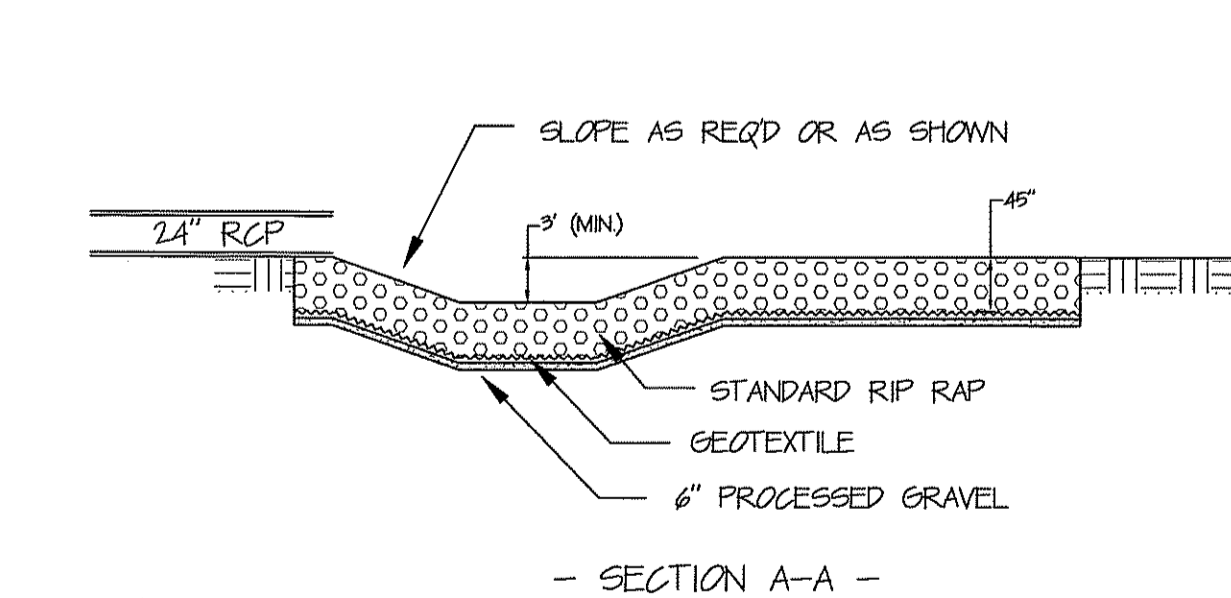
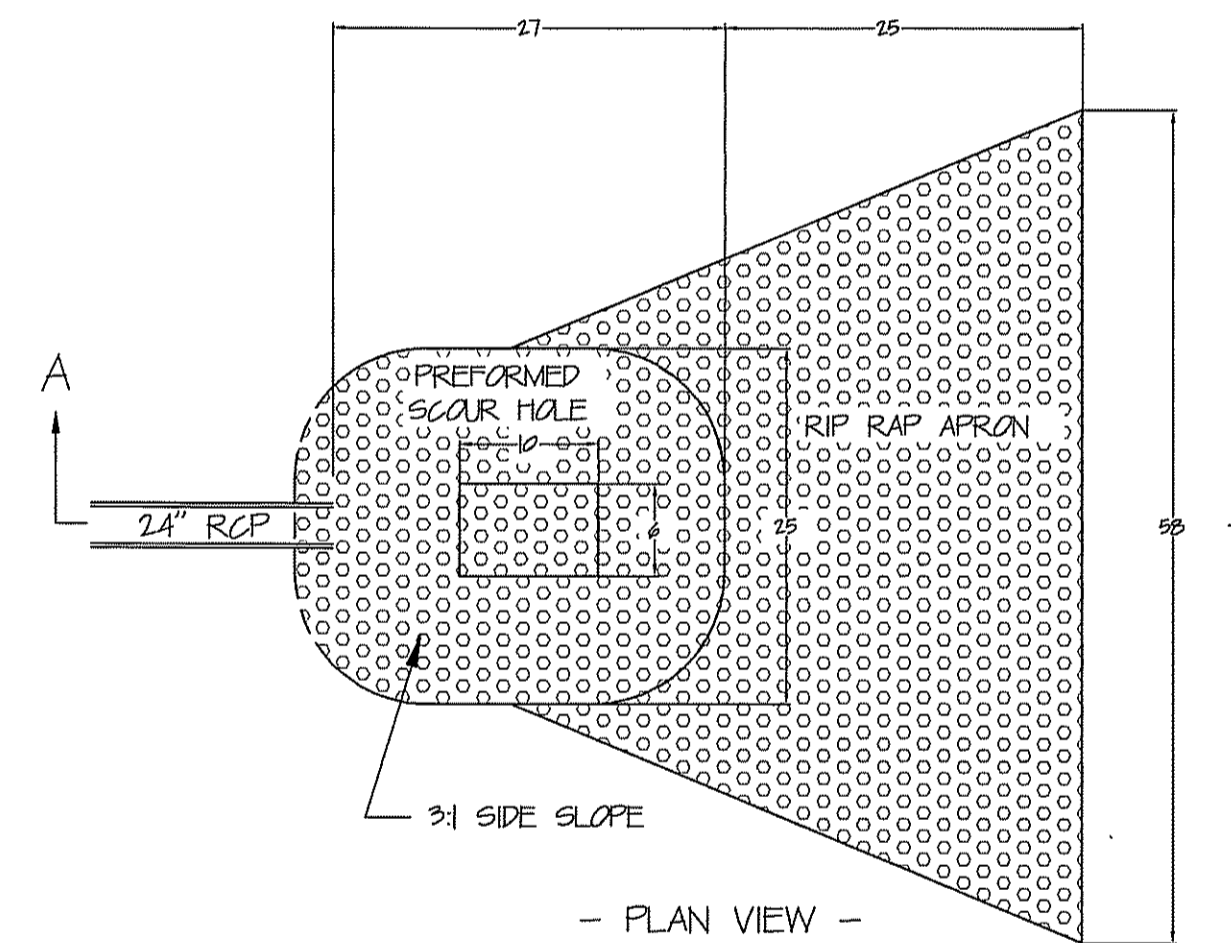
**FOOTING DRAIN**  
NTS



**CONC. RETAINING WALL**  
NTS

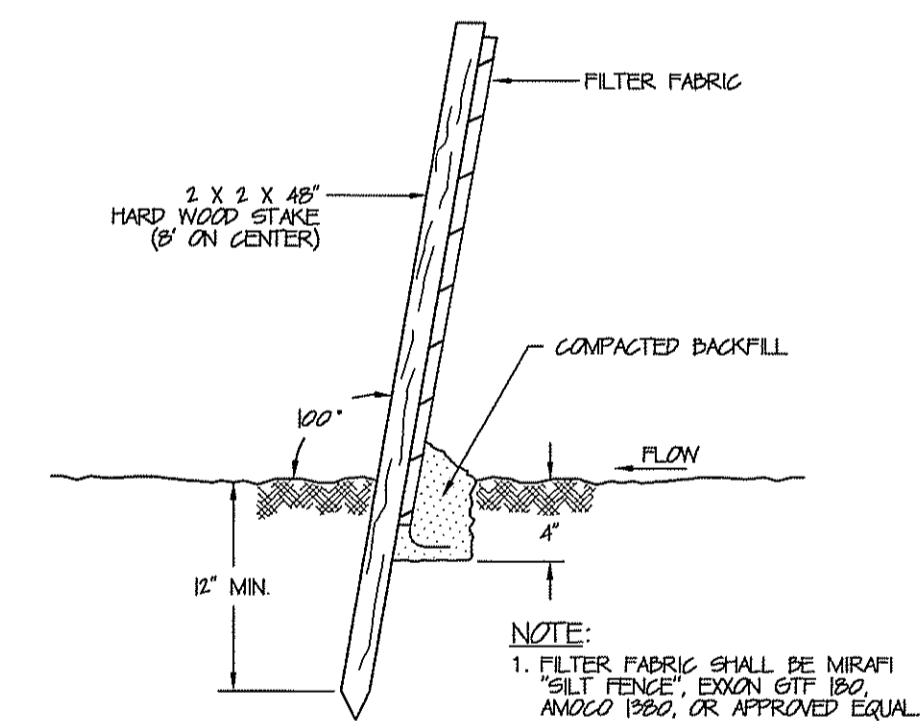


**ELEVATION-WALL BARS**  
NTS

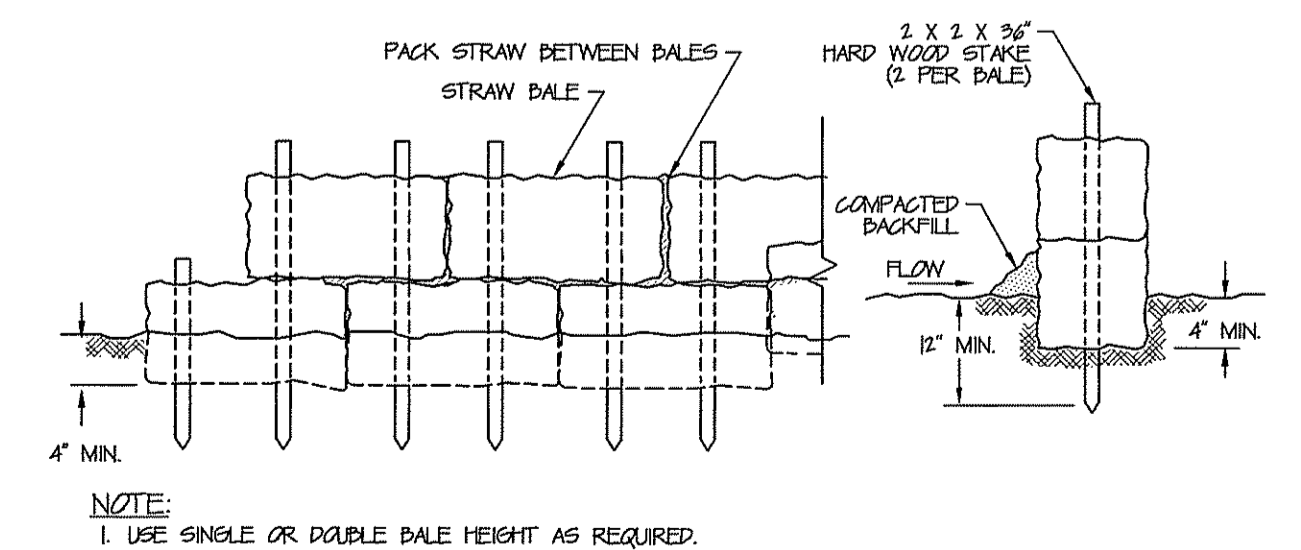


**NOTES:**  
1. GEOTEXTILE SHALL BE MIRAFI 500X, EXXON 150EX, ANOCO 2193 OR APPROVED EQUAL.  
2. RIP RAP STONE SHALL MEET THE REQUIREMENTS OF CONNECTICUT D.O.T. STANDARD SPECIFICATION FORM 514A ARTICLE: M.12.02.

**RIP RAP OUTLET**  
NTS



**SILT FENCE** RDS-501  
NTS



**STRAW BALE BARRIER** RDS-502  
NTS

TOWN OF GROTON  
DEPARTMENT OF PUBLIC WORKS  
ENGINEERING  
134 GROTON LONG POINT ROAD  
GROTON, CONNECTICUT 06340  
(860) 448-4066

FITCH SR. HIGH  
Stormwater Outfall  
Improvements  
Details

|              |       |              |       |
|--------------|-------|--------------|-------|
| DESIGNED BY: | DATE: | DESIGNED BY: | DATE: |
| pbg          | 04-02 | pbg          | 04-02 |
| CHECKED BY:  | DATE: | CHECKED BY:  | DATE: |
|              |       |              |       |
| APPROVED BY: | DATE: | APPROVED BY: | DATE: |

SCALE: As Shown

DATE: April 5, 2002

PAGE NO.: 3 OF 3

PROJECT NO.: 00-1368  
FILE NO.: fitch/dwg/fitch2.dwg

|      |          |  |
|------|----------|--|
| REV. | DATE     | DESCRIPTION                                |
| 1    | 06-05-02 | MODIFY OUTFALL PER INLAND WETLAND COMMENTS |