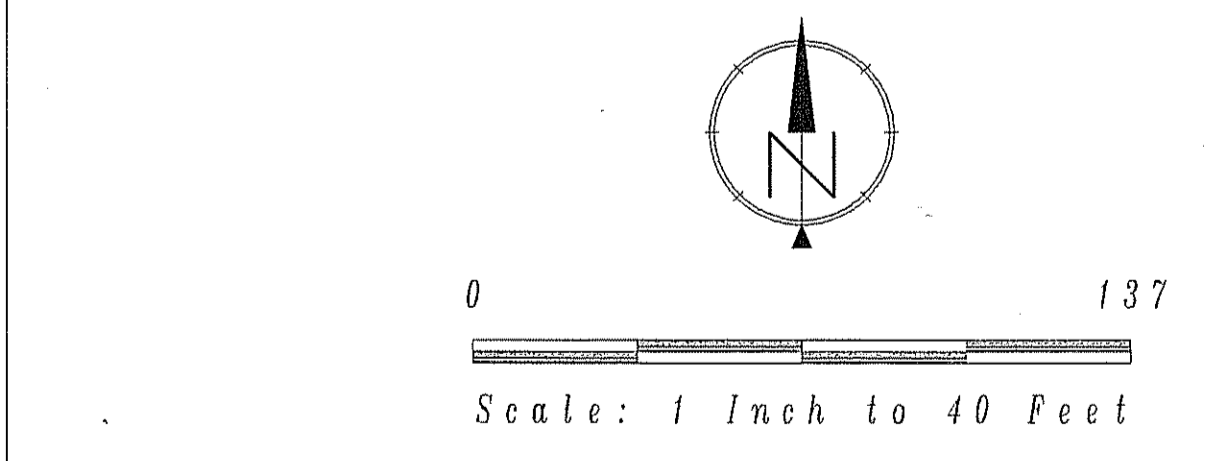




Brook course on
Subdivision plan

20' Drain Easement to Town of Groton V199 P333

Owner McKimley Edmunds Jr. & Florence Edmunds
V143 P255



Florence Drive
Storm Drains
1" = 40' June 1995