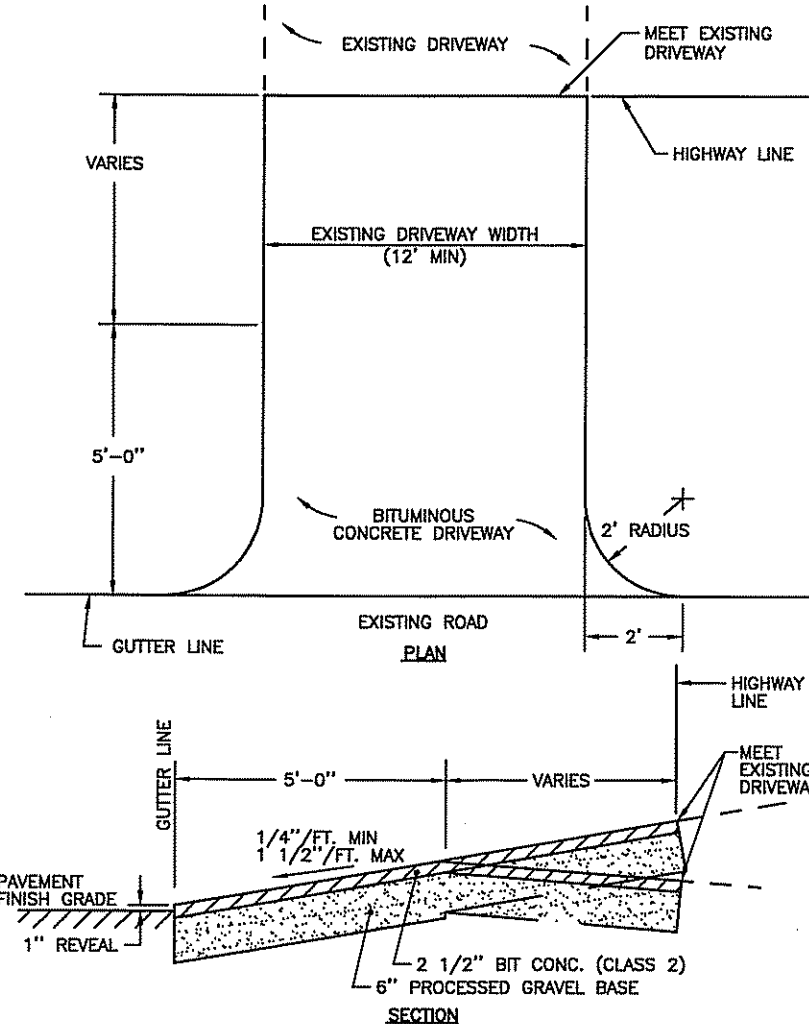
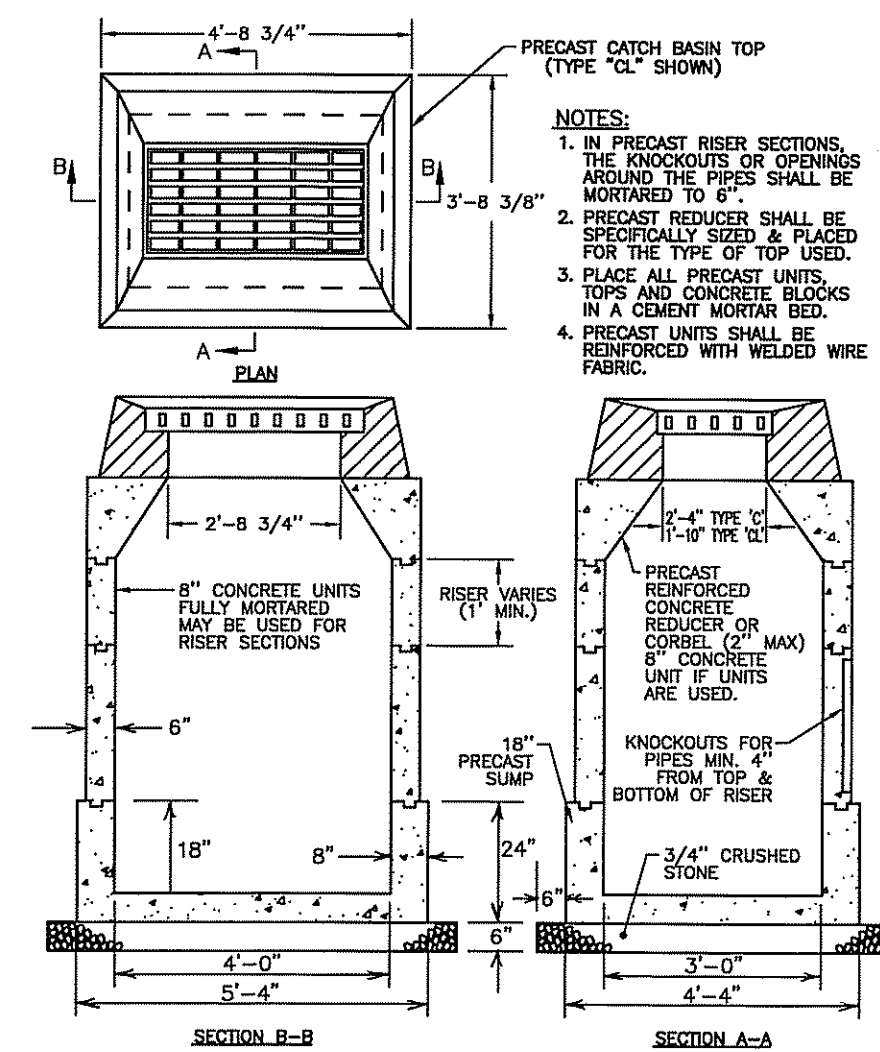


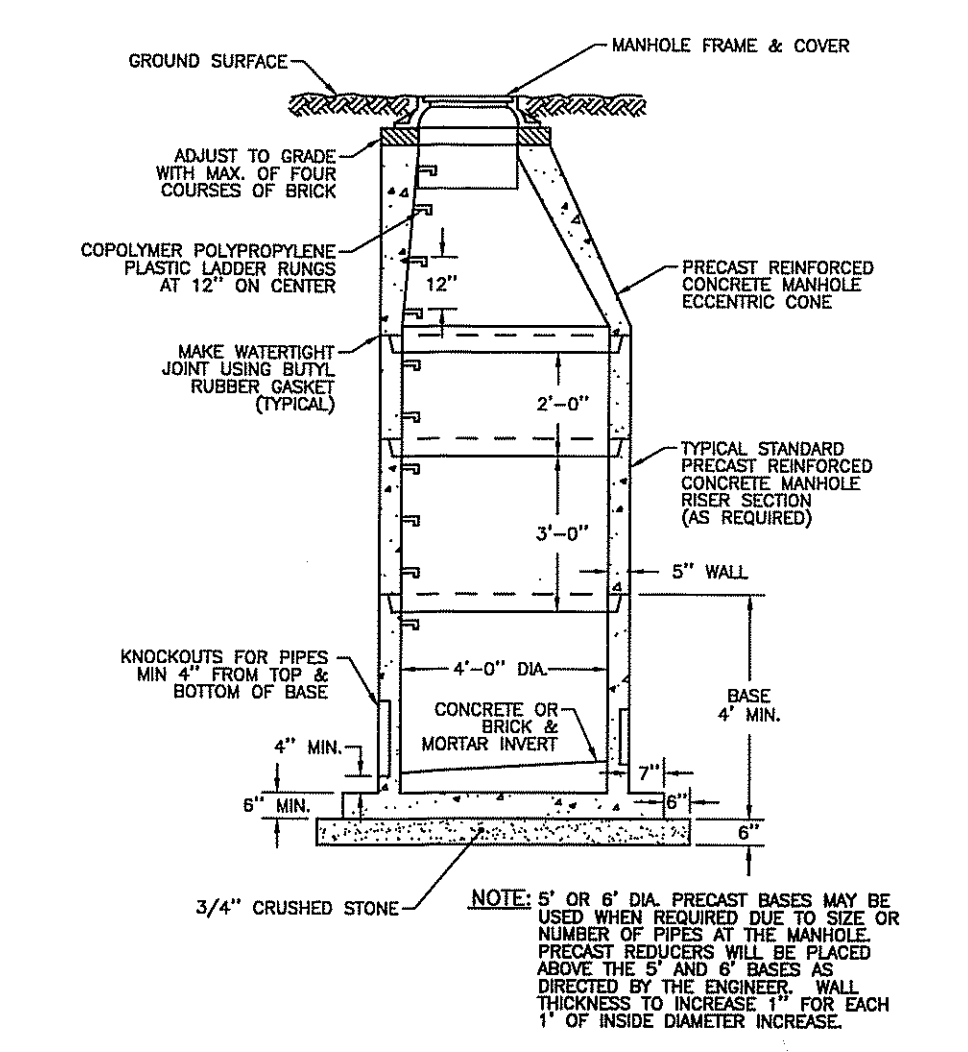
AREA MAP
SCALE: 1"=1000'



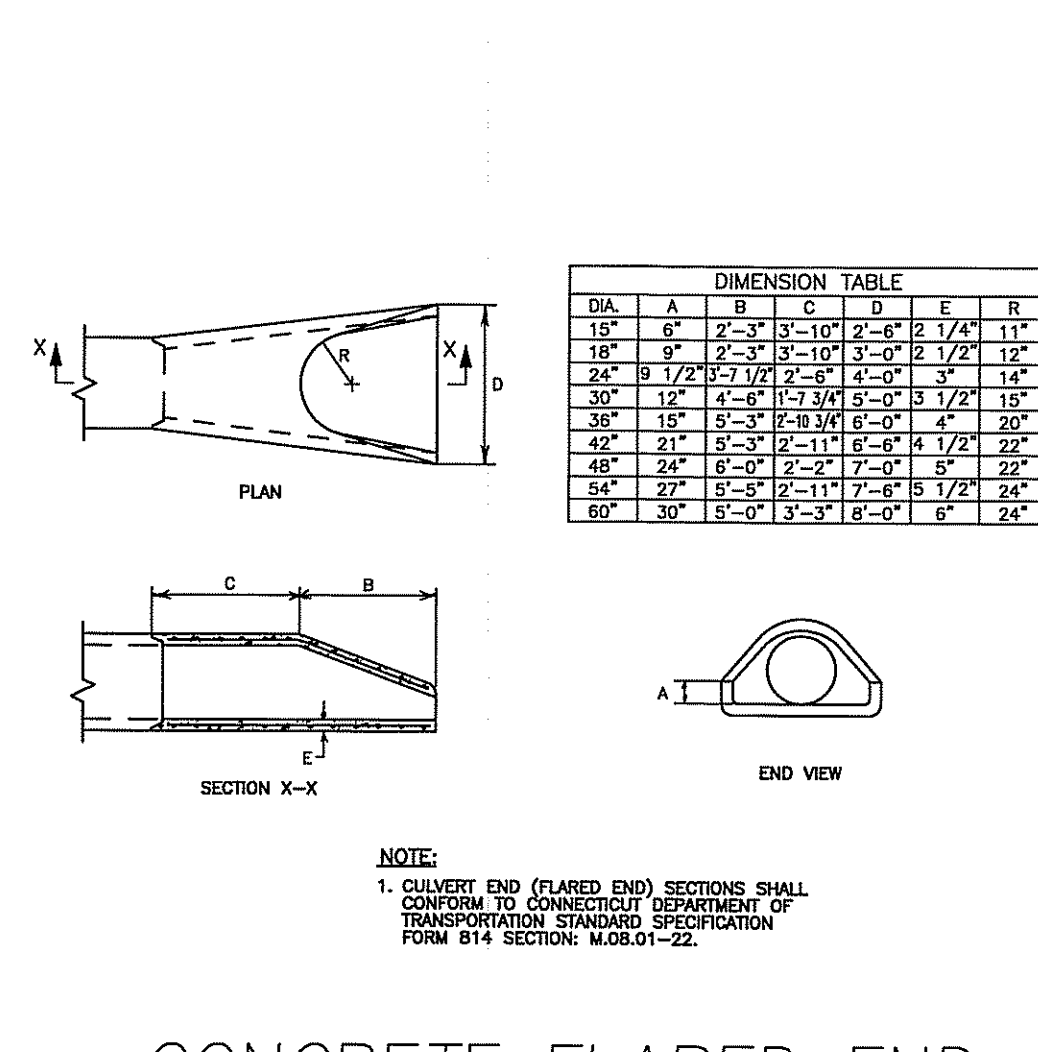
BIT. CONC. DRIVEWAY APRON
N.T.S.



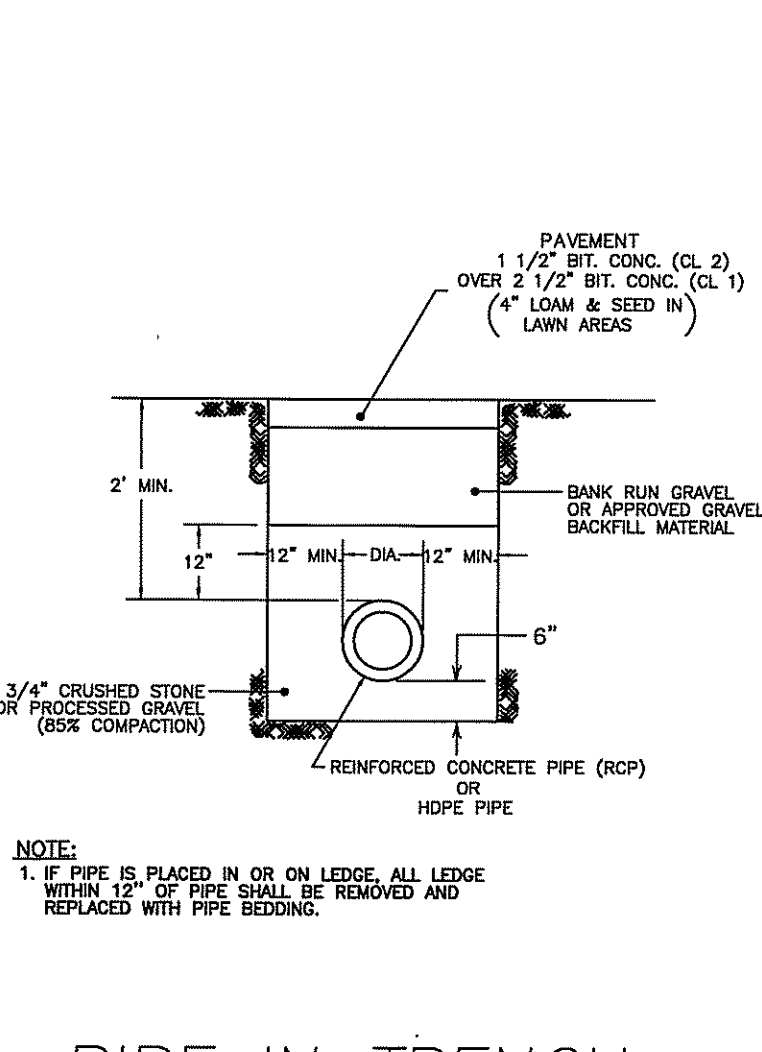
PRECAST CATCH BASIN
N.T.S.



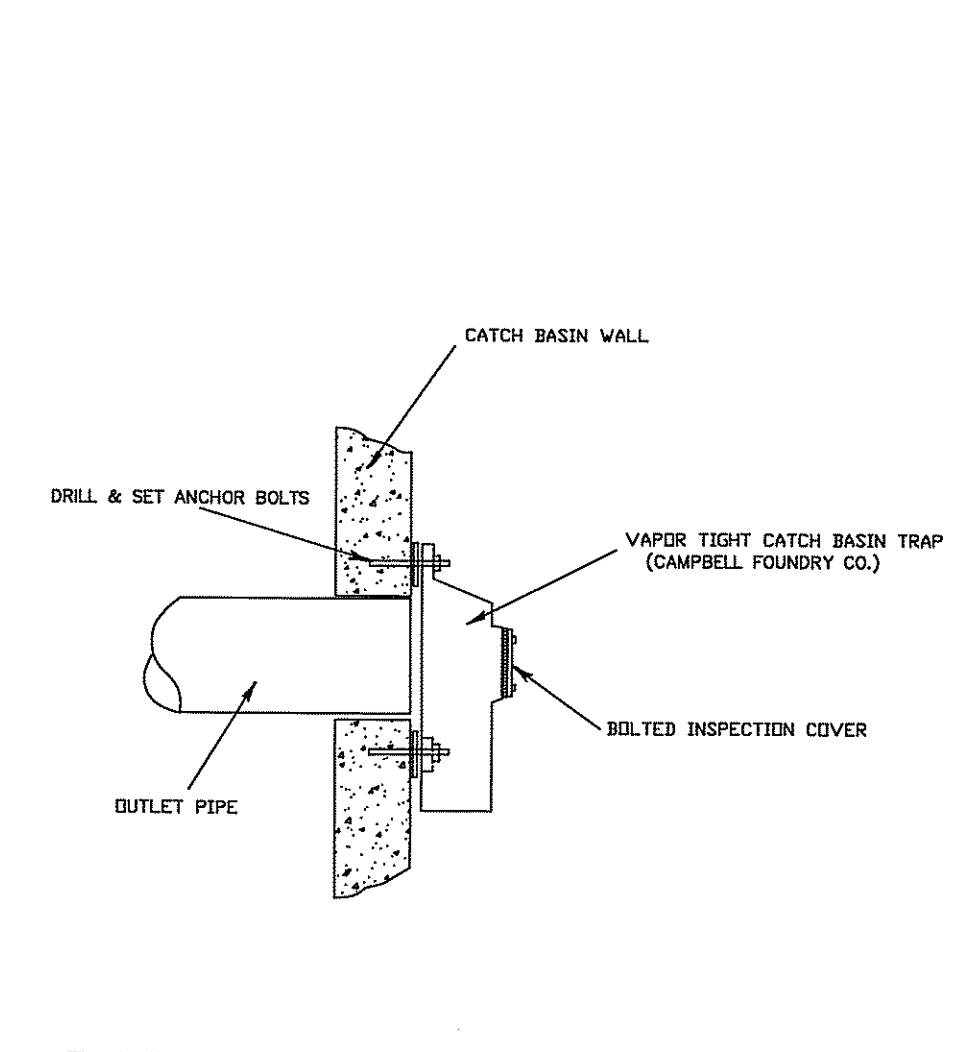
PRECAST DRAINAGE MANHOLE
N.T.S.



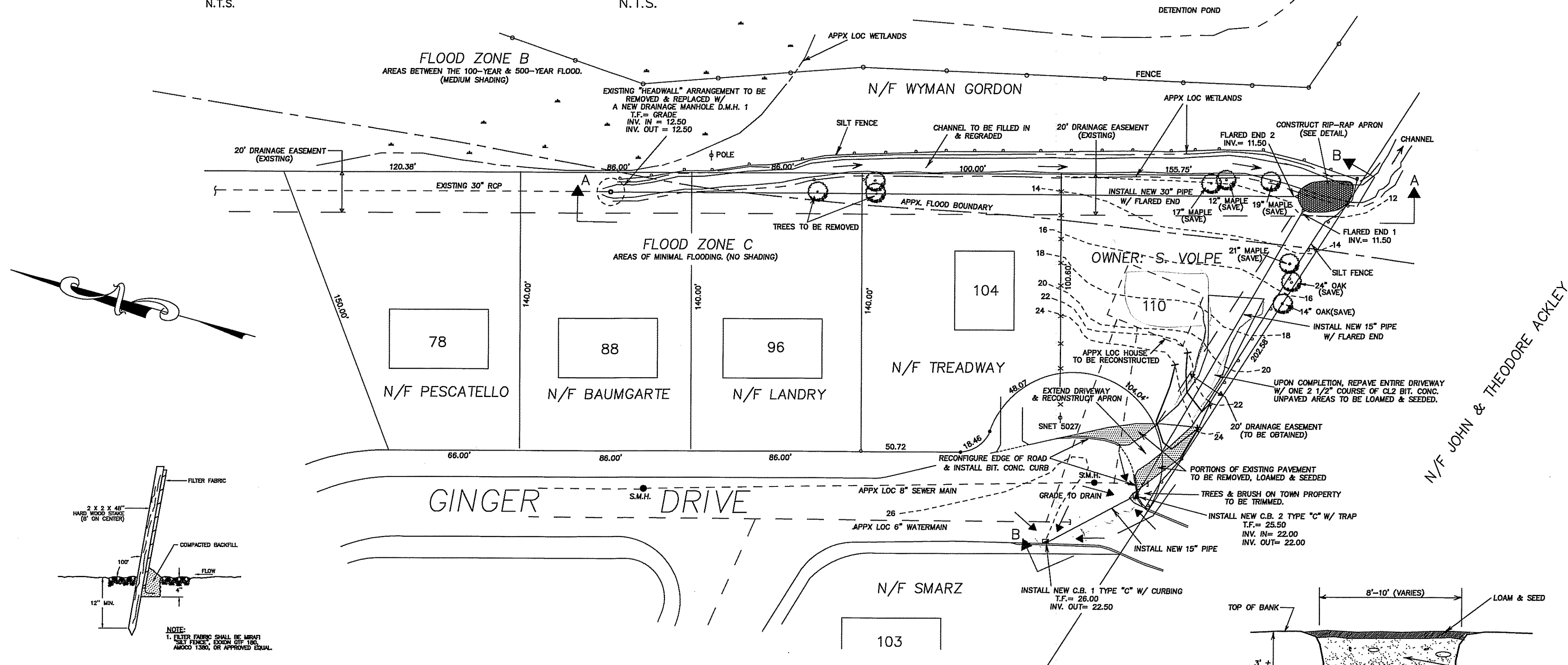
CONCRETE FLARED END
PIPE IN TRENCH
N.T.S.



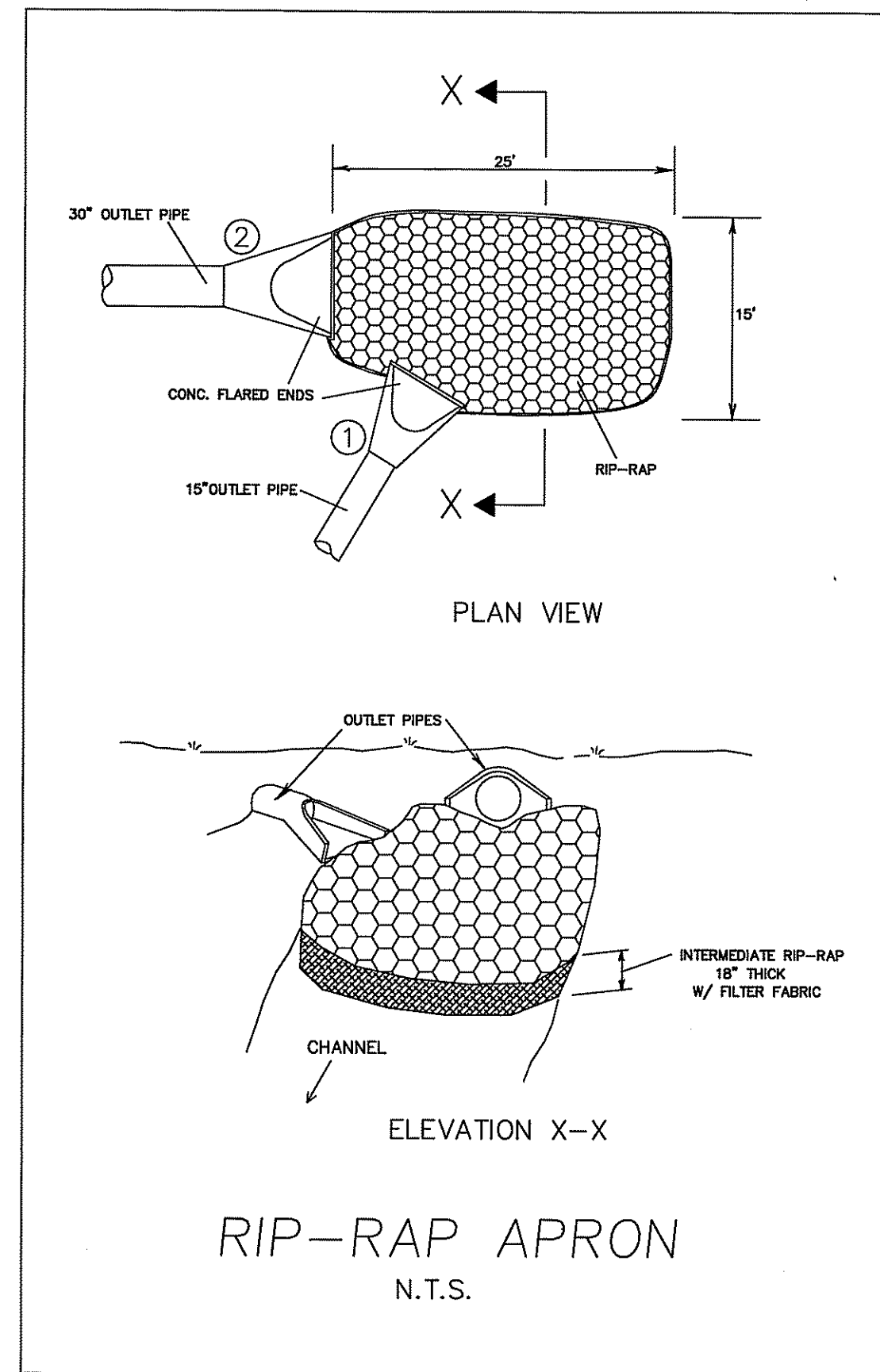
PIPE IN TRENCH
N.T.S.



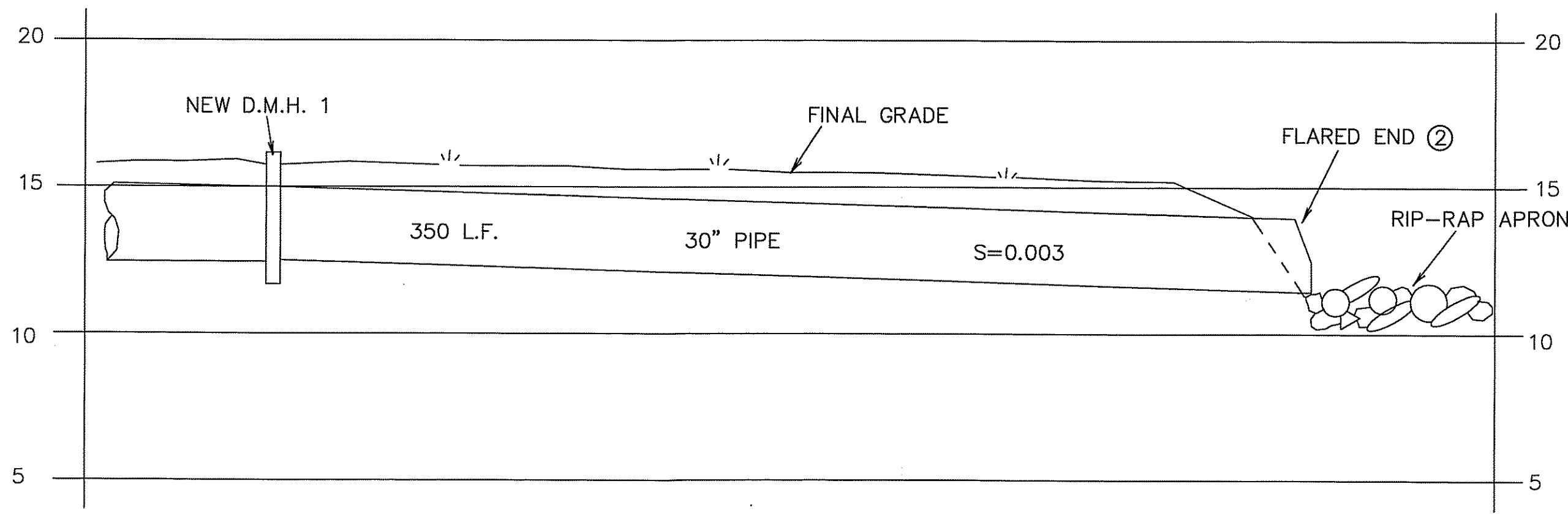
CATCH BASIN TRAP
N.T.S.



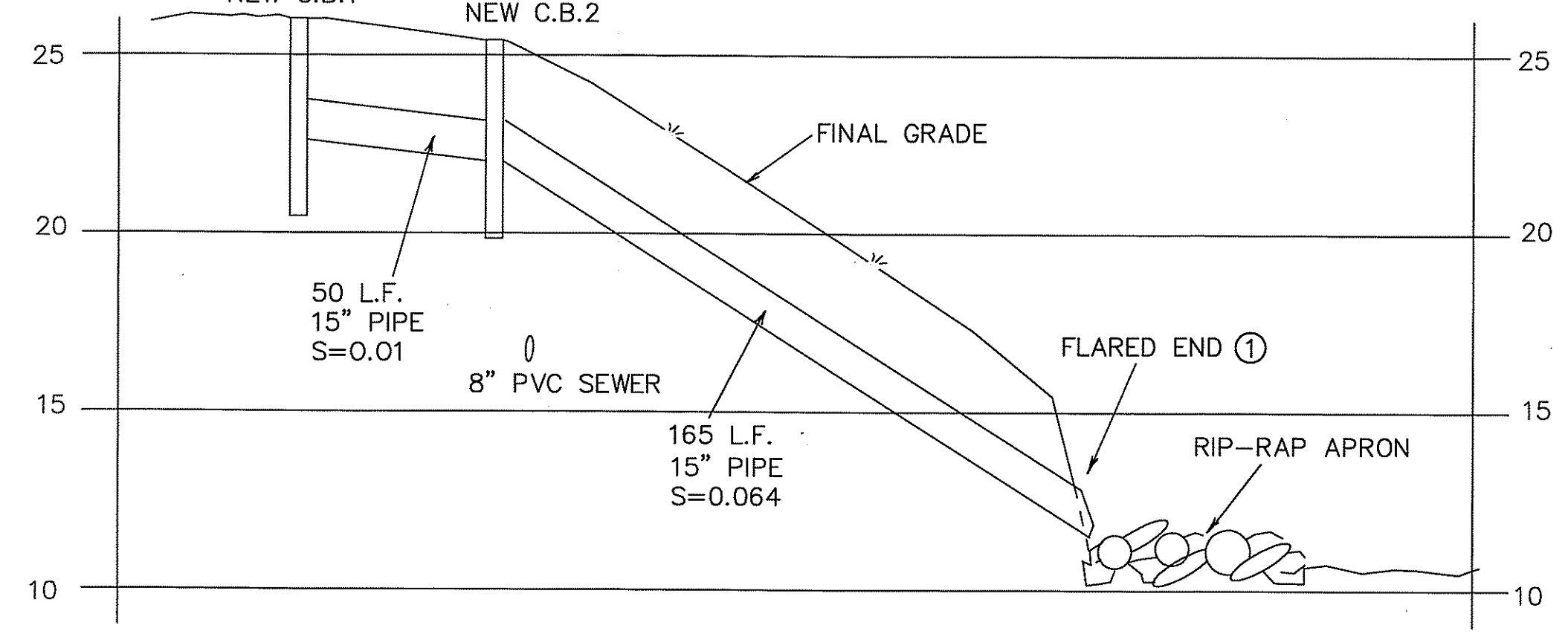
PLAN VIEW - DRAINAGE IMPROVEMENTS
SCALE: 1"=40'



RIP-RAP APRON
N.T.S.



PROFILE A-A
SCALE: H: 1"= 40'
V: 1"= 4'



PROFILE B-B
SCALE: H: 1"= 40'
V: 1"= 4'

- NOTES:
- GROUND CONTOURS & DRAINAGE INVERTS ARE BASED ON FIELD INFORMATION OBTAINED BY THE TOWN OF GROTON, SEPT 1996
 - FLOOD ZONE DESIGNATION IS DERIVED FROM FLOOD INSURANCE RATE MAP (FIRM) COMMUNITY PANEL NO. 090097 0003 E, DATED 8/2/95.
 - TOWN OF GROTON PUBLIC WORKS-ENGINEERING SHALL BE CONTACTED AT 441-6738 PRIOR TO THE START OF ANY CONSTRUCTION ACTIVITY.
 - IF NECESSARY, A TEMPORARY DAM SHALL BE CONSTRUCTED UPSTREAM OF THE EXISTING HEADWALL DURING CONSTRUCTION. ANY CHANNEL FLOW CAN BE PUMPED TO A POINT DOWNSTREAM OF THE WORK AREA.
 - DRAINAGE ROUTES SHALL BE STAKED OUT BY A SURVEYOR PRIOR TO INSTALLATION OF PIPES.
 - "CALL BEFORE YOU DIG" SHALL BE CONTACTED PRIOR TO THE START OF ANY CONSTRUCTION ACTIVITY.

TOWN OF GROTON		DEPARTMENT OF PUBLIC WORKS		ENGINEERING		134 GROTON LONG POINT ROAD GROTON, CONNECTICUT 06340 (203) 441-6738	
DESIGNED BY:	DATE:	DRAWN BY:	DATE:	CHECKED BY:	DATE:	APPROVED BY:	DATE:
ACR	9/12/96	ACR	9/12/96				
SCALE: AS SHOWN		DATE: 9/12/96		PAGE NO.: 1 OF 1		PROJECT NO.: 96-103	
GINGER DRIVE		DRAINAGE		IMPROVEMENTS		REV. DATE DESCRIPTION	