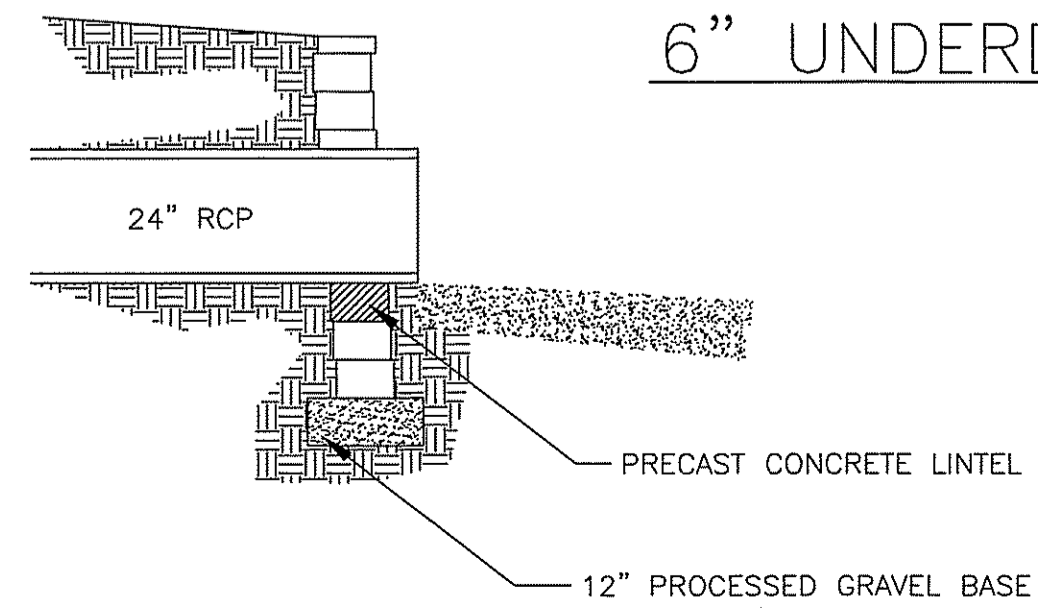
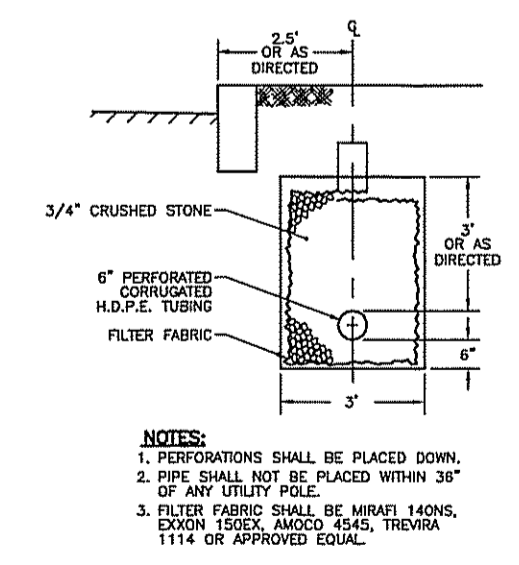


VERSA-LOK WALL  
N.T.S.

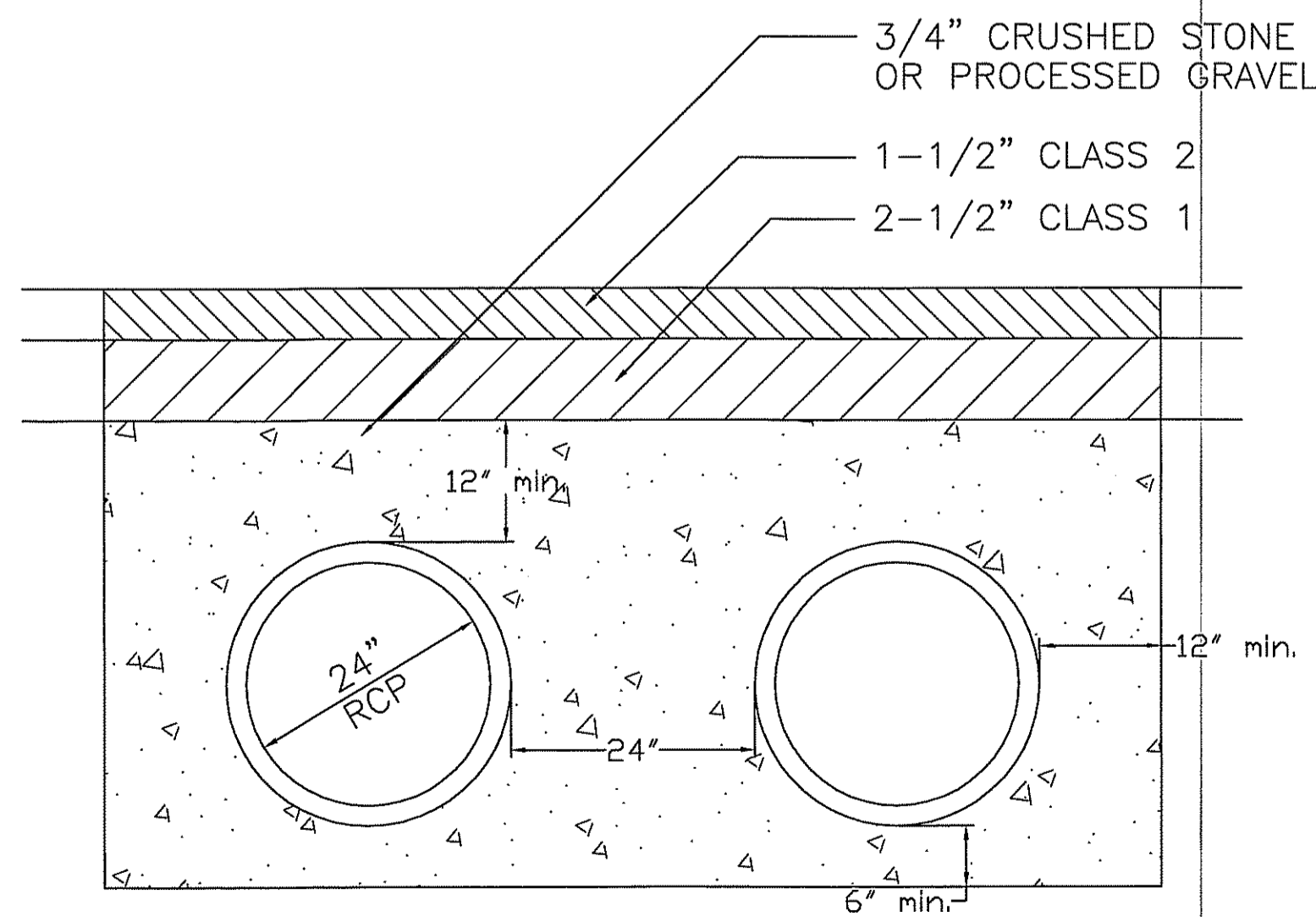


24" RCP  
N.T.S.

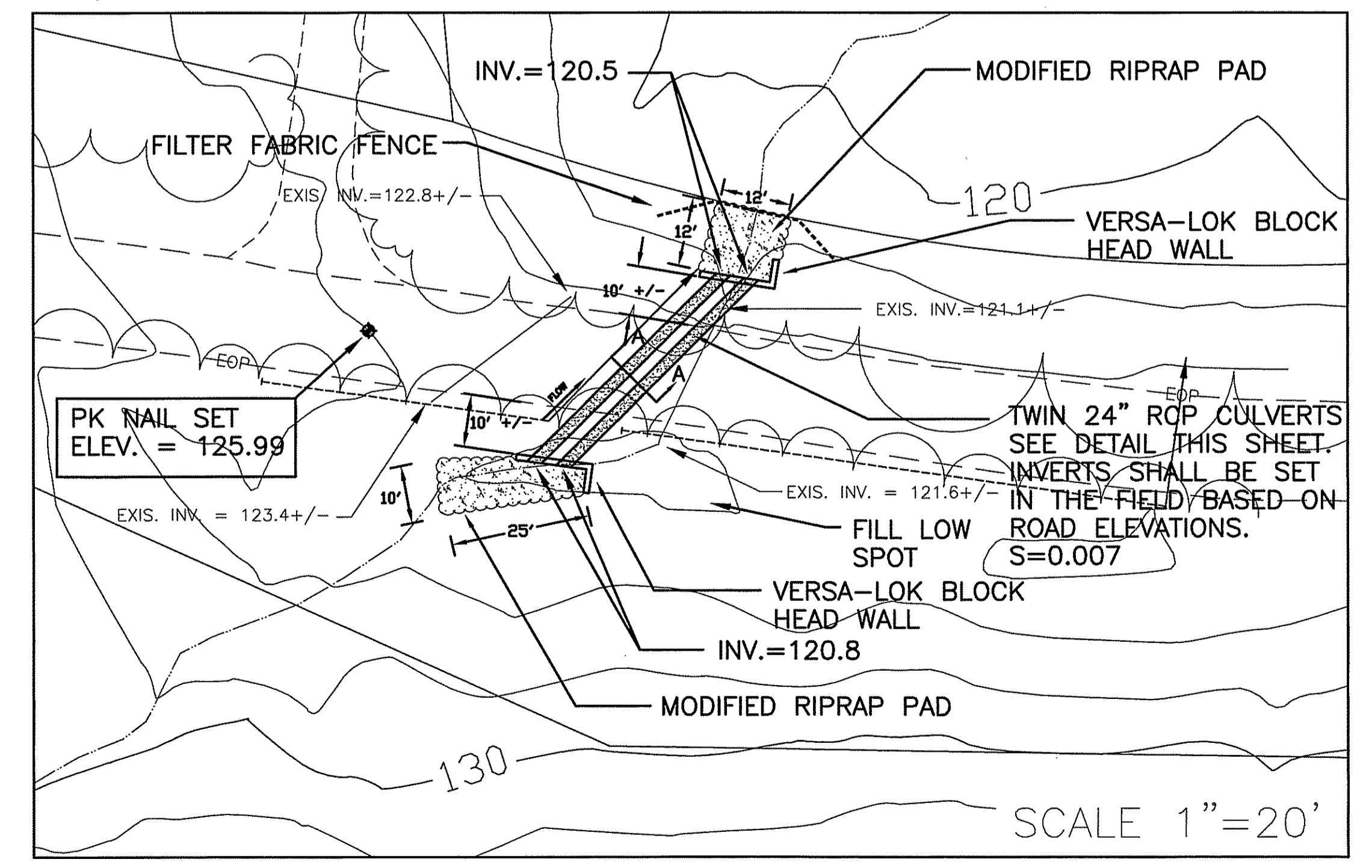


6" UNDERDRAIN  
N.T.S.

- NOTES:
1. PERFORATIONS SHALL BE PLACED DOWN.
  2. RCP SHALL NOT BE PLACED WITHIN 30" OF ANY UTILITY PIPE.
  3. FILTER FABRIC SHALL BE MINAMI 1400S, DRYER TISSUE, 4000 GSM, TENSILE 1114 OR APPROVED EQUAL.



SECTION A-A  
N.T.S.



ENLARGED PLAN

REV.	DATE	DESCRIPTION

PROJECT NO.: 020469  
 FILE NO.:  
 D:\Land Projects\10\Godfrey Road\Drawings\10\020469-1.dwg

TOWN OF GROTON  
 DEPARTMENT OF PUBLIC WORKS  
 ENGINEERING  
 134 GROTON LONG POINT ROAD  
 GROTON, CONNECTICUT 06340  
 (860) 448-4066

GODFREY ROAD  
 CULVERT REPLACEMENT  
 SITE PLAN

DESIGNED BY: C/JK	DATE: 10/15/02
DRAWN BY: C/JK	DATE: 10/15/02
CHECKED BY:	DATE:
APPROVED BY:	DATE:

SCALE: 1"=40'  
 DATE: 10/15/02  
 PAGE NO.: 1 OF 1