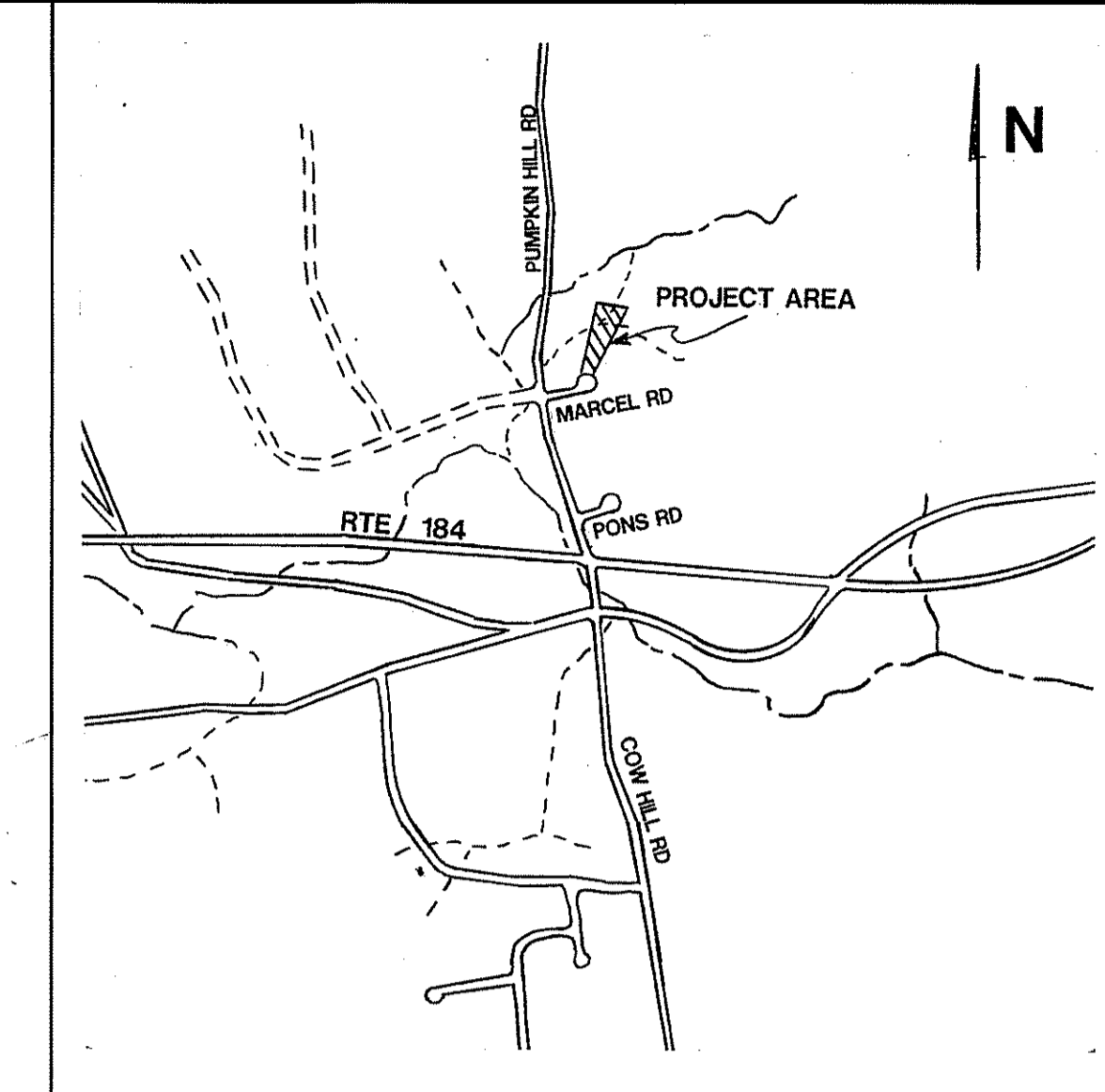


PLAN VIEW - MARCEL ROAD DRAINAGE

SCALE: 1"=50'



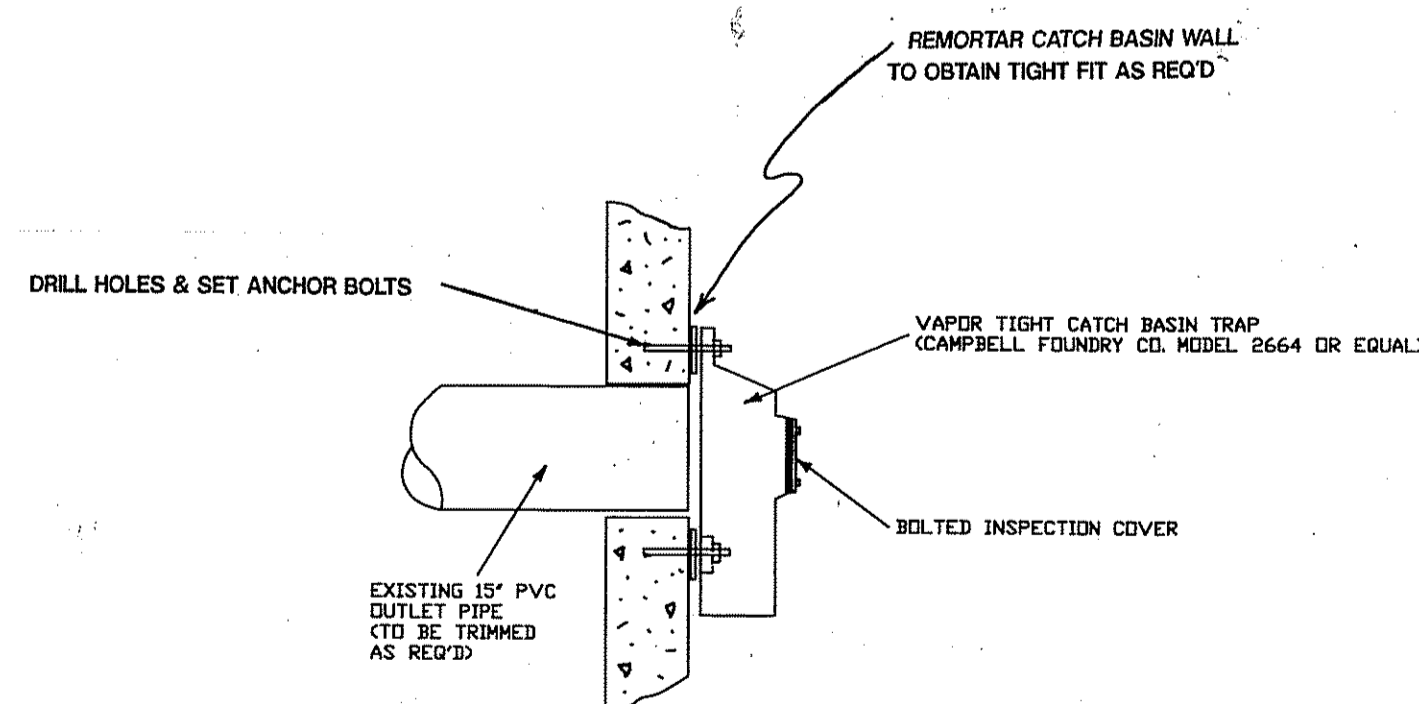
AREA MAP

SCALE: 1"=1000'

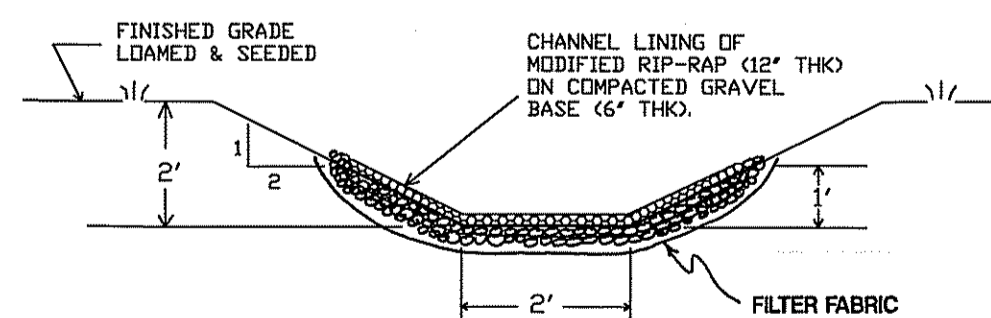
FLOOD ZONE C
 (AREAS OF MINIMAL FLOODING. NO SHADING.)
 FIRM COMM. PANEL NO. 090097-0011C, DATED 8/15/84

NOTES:

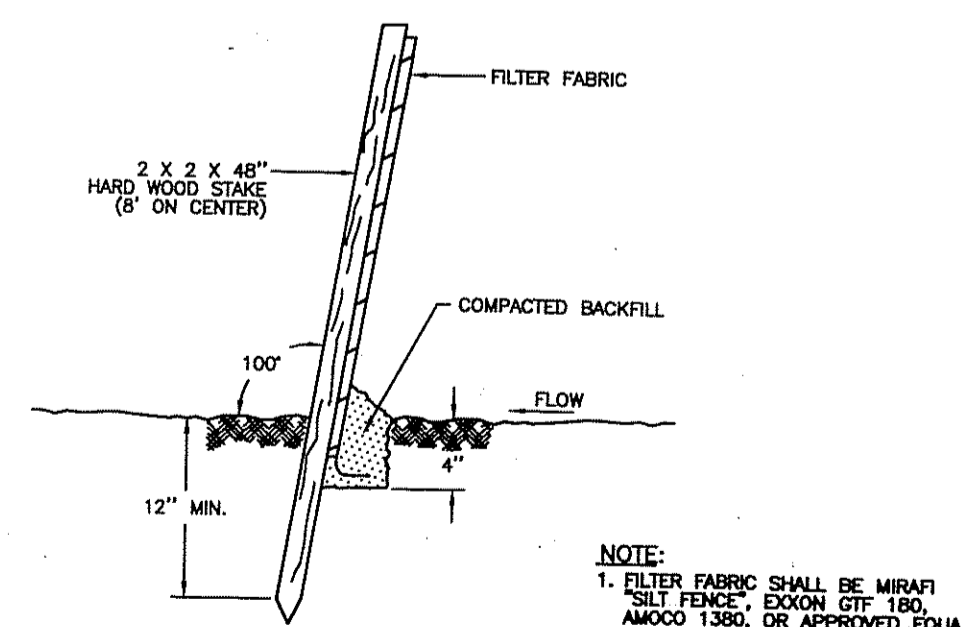
- EXISTING CONTOURS ARE BASED ON SURVEY INFO. FROM ORIGINAL SUBDIVISION MAP ENTITLED "SHADY OAKS SUBDIVISION, PUMPKIN HILL ROAD & ROUTE 184, GROTON, CONNECTICUT, DATED JAN. 1982" AS MODIFIED BY FIELD INFO. OBTAINED BY THE TOWN OF GROTON (MAY 1996). THE CONTOURS SHOULD BE CONSIDERED APPROXIMATE.
- CATCH BASIN TRAP TO BE INSTALLED IN ACCORDANCE WITH THE DETAILS PROVIDED AND ANY ADDITIONAL INSTALLATION REQUIREMENTS PROVIDED BY THE MANUFACTURER.
- STONES FROM EXISTING SPILLWAY TO BE REUSED AS NEEDED IN CONSTRUCTING THE RIP-RAP APRON AND CHANNEL.
- TOWN OF GROTON DEPARTMENT OF PUBLIC WORKS-ENGINEERING SHOULD BE CONTACTED AT 441-6738 PRIOR TO THE START OF ANY CONSTRUCTION ACTIVITY.



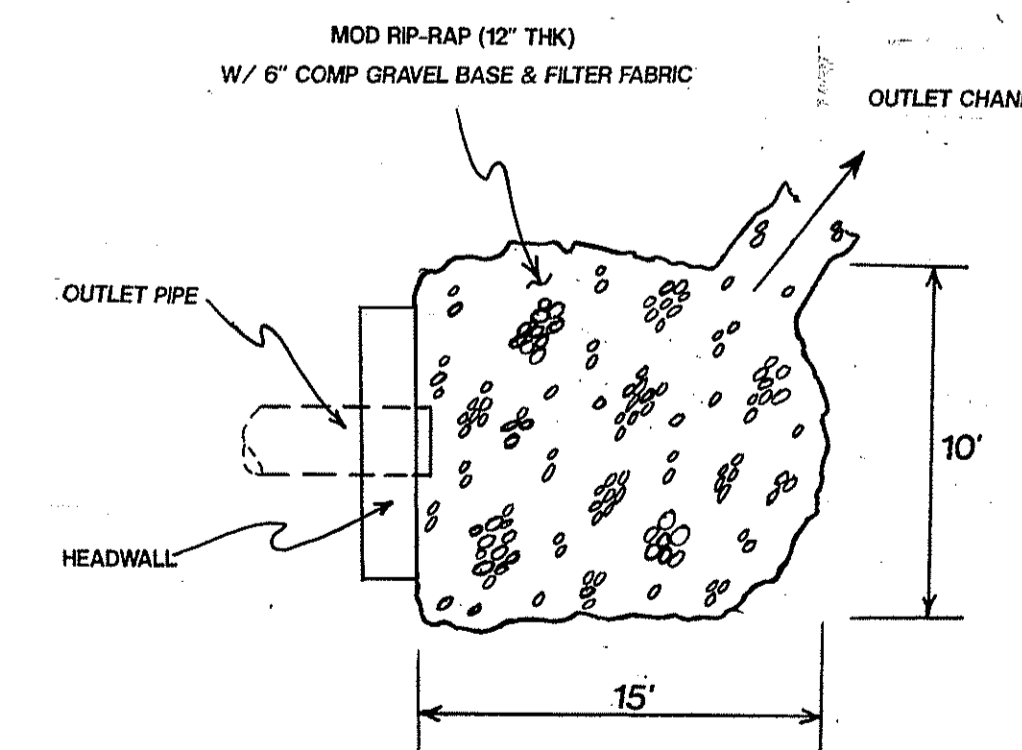
CATCH BASIN TRAP
N.T.S.



DRAINAGE CHANNEL
N.T.S.



SILT FENCE



RIP-RAP APRON
N.T.S.

TOWN OF GROTON
DEPARTMENT OF PUBLIC WORKS

ENGINEERING

134 GROTON LONG POINT ROAD
GROTON, CONNECTICUT 06340
(203) 441-6738

MARCEL ROAD
DRAINAGE
MODIFICATION

DESIGNED BY: ACR	DATE: 5/31/96	DRAWN BY: ACR	DATE: 5/31/96	CHECKED BY:	DATE:	APPROVED BY:	DATE:
---------------------	------------------	------------------	------------------	-------------	-------	--------------	-------

SCALE:
AS SHOWN

DATE:
6/4/96

PAGE NO.:
1 OF 1

REV.	DATE	E & S CONTROLS DESCRIPTION	FILE NO.:
A	11/5/96		96-101